

Body parts and panels

9

Body shell

Sub chassis

Timber frame
(Traveller)

Doors and
door windows

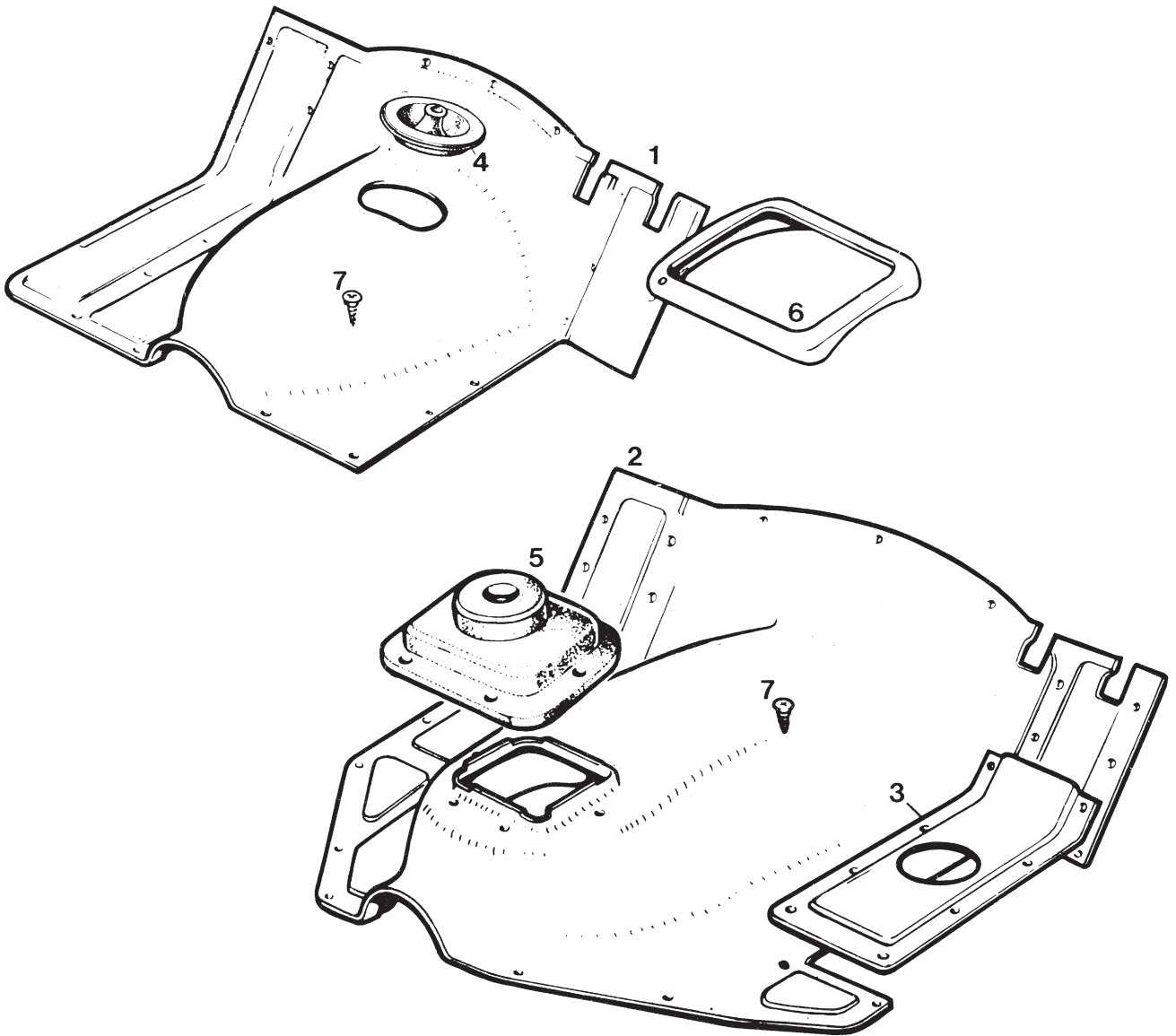
Bonnet

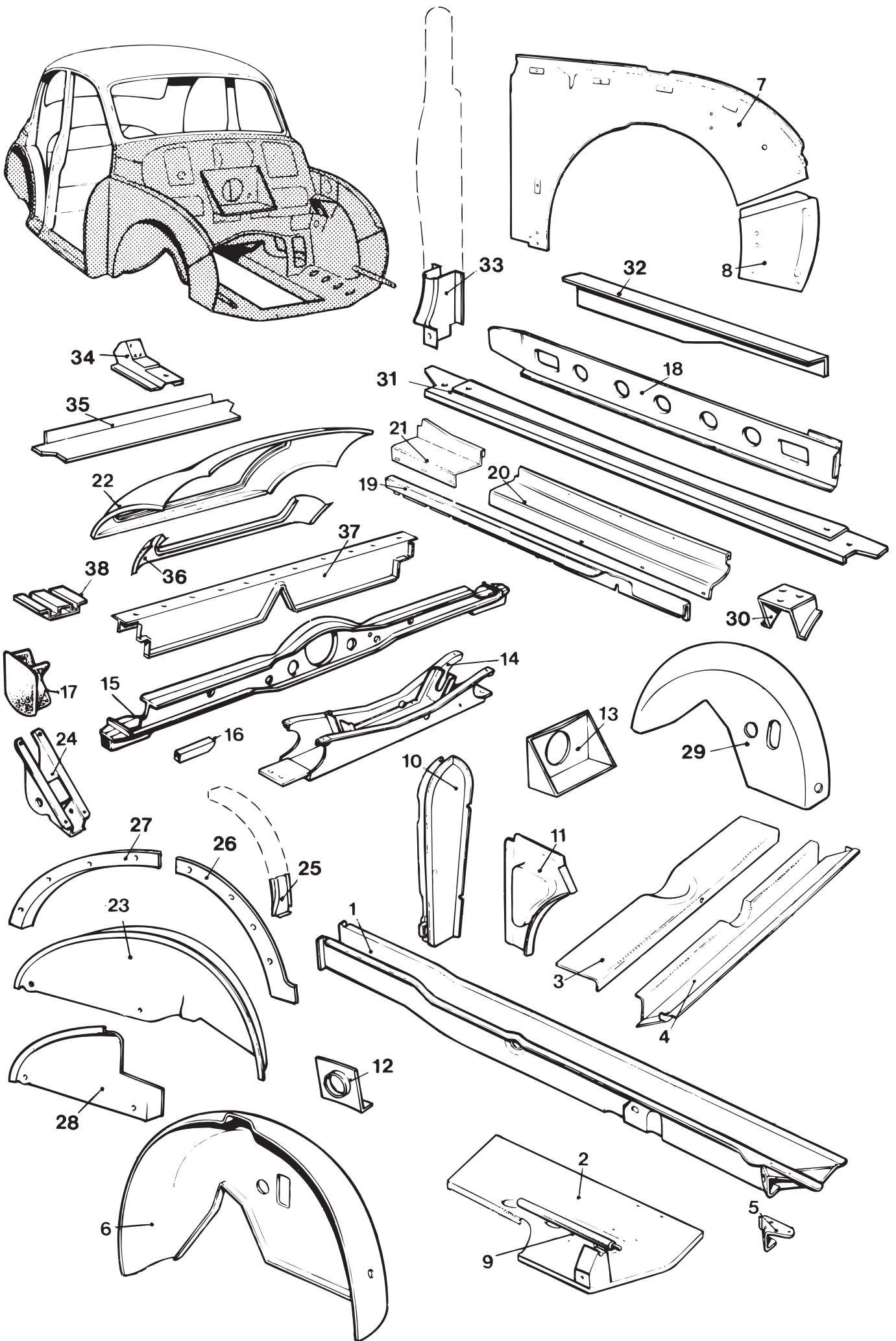
Boot lid

Hood and hood frame
(Convertible)

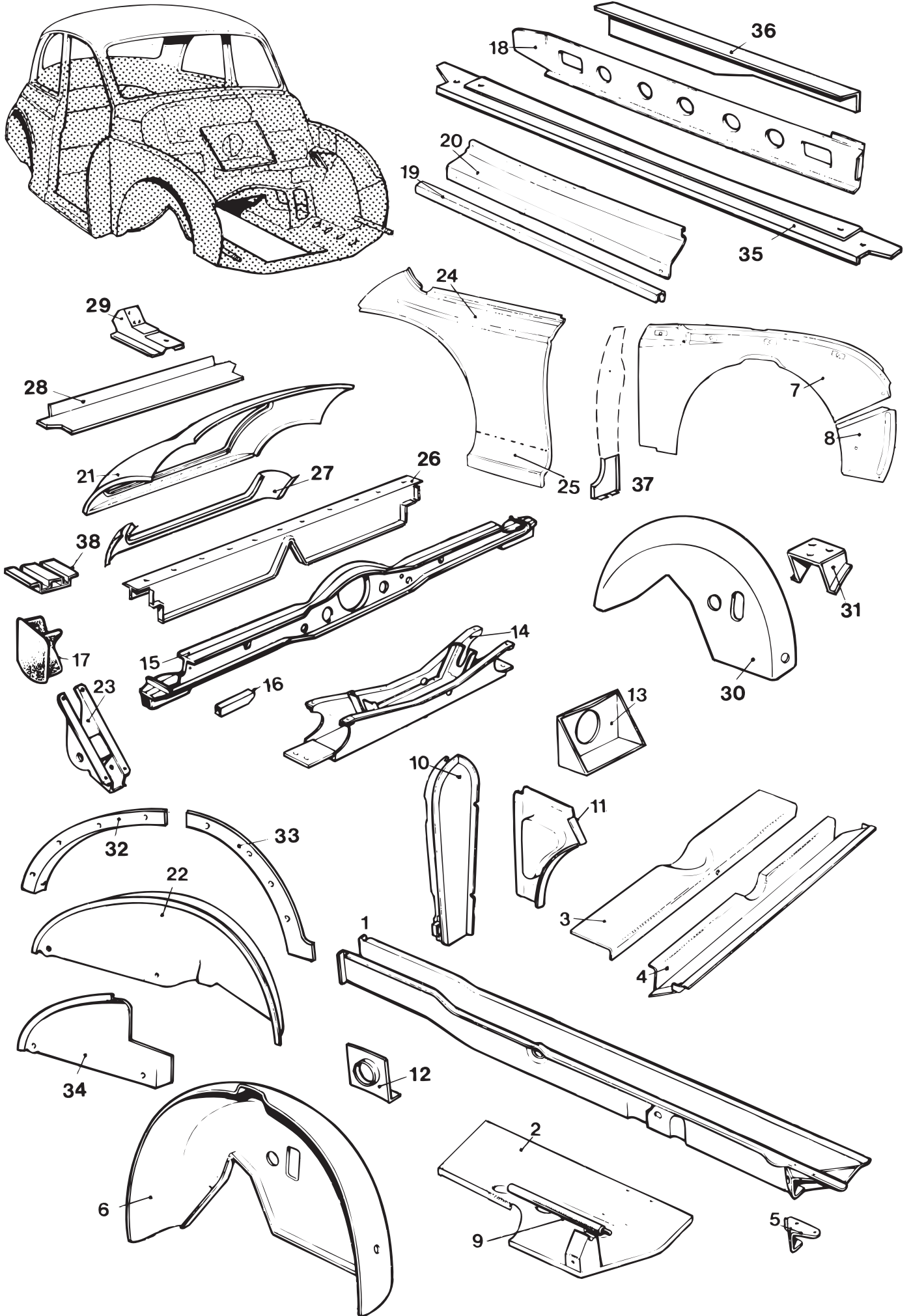
Blank

Part Number	ESM Order Ref.	Illus. No.	Description	Remarks
Gearbox covers				
GCP101	GCP101	1	Cover - gearbox	803cc
GCP102	RP178	2	Cover - gearbox	948cc and 1098cc
GCP103	CBS156	3	Plate - master cylinder cover	
GCP104	SS104	4	Gaiter - gear shift	803cc
GCP105	10G255	5	Gaiter - gear shift	948cc and 1098cc
GCP106	10G256	6	Plate - gaiter retaining	
GCP107	10G265	7	Screw - cover to floor - short	32 required per car
GCP107A	10G265A	7	Screw - cover to floor - long	4 required per car
GCP108	10G266	-	Recessed washer for 10G265	32 required per car

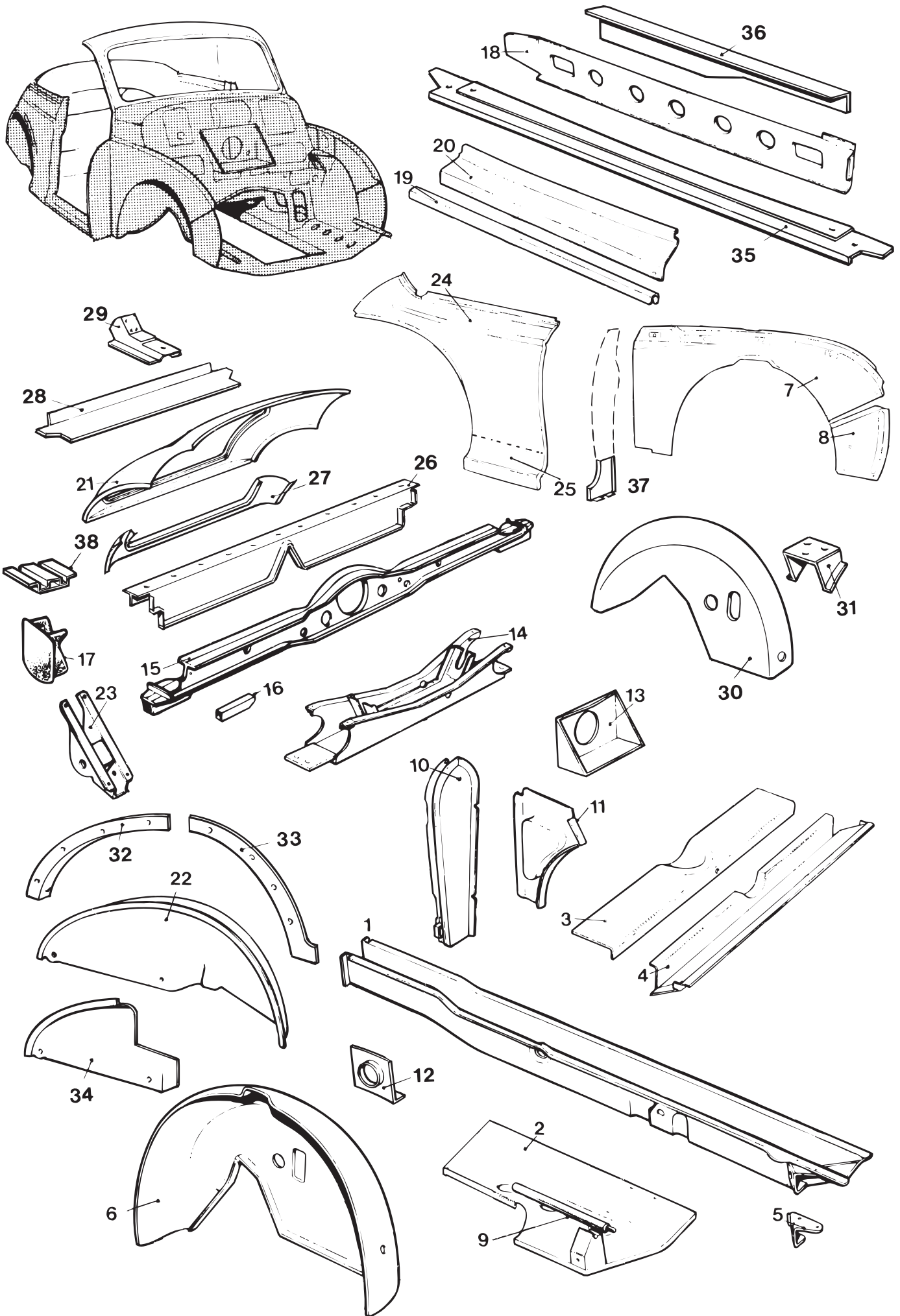




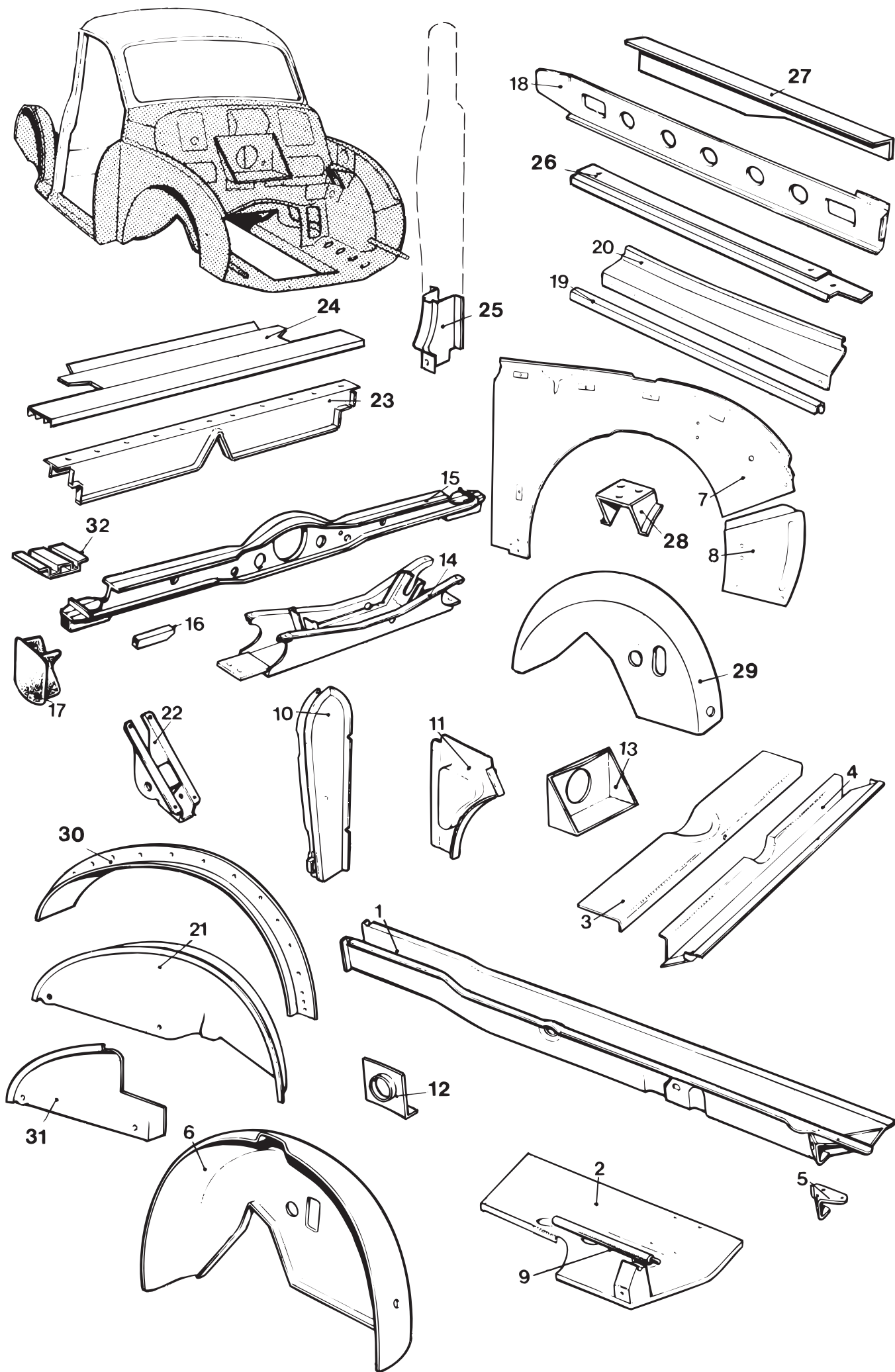
Part Number	ESM ORdeR Ref.	Illus. No.	Description	Remarks
Body shell - 4 door saloon				
CHS101	RP116R	1	Leg - chassis - R/H	
CHS102	RP116L	-	Leg - chassis - L/H	
CHS103	RP101R	2	Tie-plate - R/H	
CHS104	RP101L	-	Tie-plate - L/H	
CHS105	RP119	3	Plate - top - front crossmember	
CHS106	RP120	4	Crossmember - front	
CHS107	RP114AR	5	Bracket - tie-bar - R/H	
CHS108	RP114AL	-	Bracket - tie-bar - L/H	
CHS109	RP121R	6	Wheel arch - front - R/H	
CHS110	RP121L	29	Wheel arch - front - L/H	
CHS111	RP122R	7	Flitch - R/H	
CHS112	RP122L	-	Flitch - L/H	
CHS113	RP122BR	8	Extension - flitch - R/H	
CHS114	RP122BL	-	Extension - flitch - L/H	
CHS115	RP156R	9	Tube and stud - bumper - R/H	
CHS116	RP156L	-	Tube and stud - bumper - L/H	
CHS117	RP123R	10	Pillar - hinge - R/H	
CHS118	RP123L	-	Pillar - hinge - L/H	
CHS119	RP179R	11	Panel - front - side - inner - R/H	
CHS120	RP179L	-	Panel - front - side - inner - L/H	
CHS150	RP157R	12	Bracket - flitch to wheel arch - R/H	
CHS151	RP157L	-	Bracket - flitch to wheel arch - L/H	
CHS122	CHS122	13	Box - battery	
CHS123	RP177	14	Crossmember - gearbox- mount	
CHS124	RP103	15	Crossmember - centre	
CHS125	RP105	16	Bracket - jacking	
CHS126	RP105A	17	Rubber - jacking bracket	
CHS127	RP109AR	18	Plate - boxing - sill - R/H	
CHS128	RP109AL	-	Plate - boxing - sill - L/H	
CHS129	RP112R	19	Finisher - sill - R/H	
CHS129SS	RP112AR	19	Finisher - sill - stainless - R/H	
CHS130	RP112L	-	Finisher - sill - L/H	
CHS130SS	RP112AL	-	Finisher - sill - stainless - L/H	
CHS131	RP110AL	20	Kick-plate - front - R/H	
CHS132	RP110AR	-	Kick-plate - front - L/H	
CHS133	RP110BR	21	Kick-plate - rear - R/H	
CHS134	RP110BL	-	Kick-plate - rear - L/H	
CHS136	RP127AR	23	Wing - inner - rear - R/H	
CHS137	RP127AL	-	Wing - inner - rear - L/H	
CHS138	RP106AR	24	Bracket - rear spring - front - R/H	See also CHS719
CHS139	RP106AL	-	Bracket - rear spring - front - L/H	See also CHS720
CHS719	RP106R	-	Spring hanger bracket (on plate) - R/H	
CHS720	RP106L	-	Spring hanger bracket (on plate) - L/H	
CHS759	RP166R	25	Wheelarch rocker repair - R/H	
CHS760	RP166L	-	Wheelarch rocker repair - L/H	
CHS748	RP159R	26/27	Flange - rear inner wing - R/H	
CHS749	RP159L	-	Flange - rear inner wing - L/H	
CHS723	RP127R	28	Rear inner wing repair - R/H	
CHS724	RP127L	-	Rear inner wing repair - L/H	
CHS110	RP121L	29	Wheel arch - front - L/H	
CHS153	CHS153	30	Bracket - wiper motor mounting	
CHS734	RP108AR	31	Sill - outer - R/H	
CHS735	RP108AL	-	Sill - outer - L/H	
CHS746	RP107R	32	Sill member - R/H	
CHS747	RP107L	-	Sill member - L/H	
CHS765	RP165	33	B' post repair	
CHS756	RP153	34	Bracket - boot lock striker plate mounting	
CHS726	RP148	35	Rear apron	
CHS750	RP150	36	Boot-lid closing panel repair	
CHS152	CHS152SH	37	Crossmember - rear seat support	
CHS761	RP137A	38	Plate - rear bump stop	



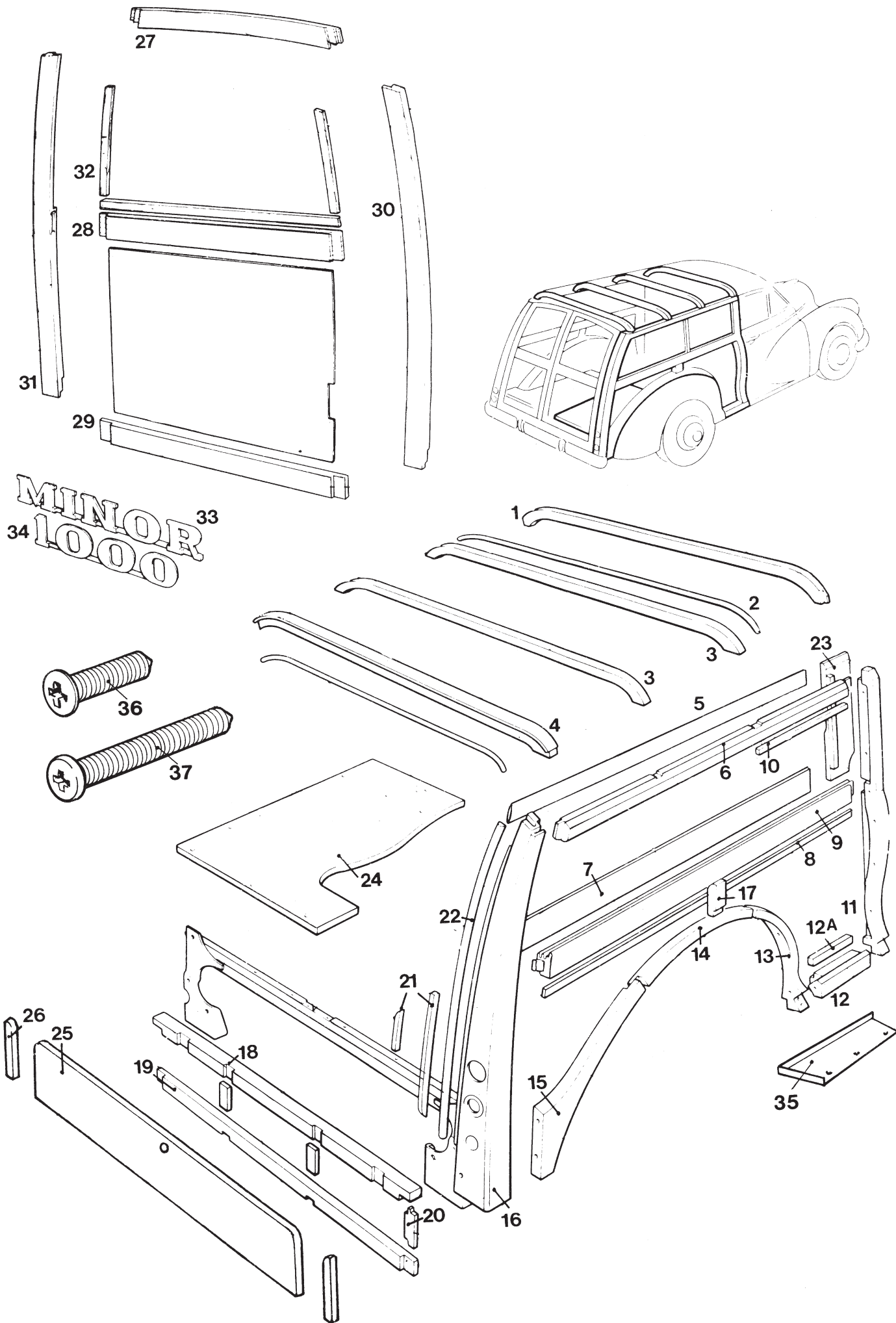
Part Number	ESM Order Ref.	Illus. No.	Description	Remarks
Body shell - 2 door saloon				
CHS101	RP116R	1	Leg - chassis - R/H	
CHS102	RP116L	-	Leg - chassis - L/H	
CHS103	RP101R	2	Tie-plate - R/H	
CHS104	RP101L	-	Tie-plate - L/H	
CHS105	RP119	3	Plate - top - front crossmember	
CHS106	RP120	4	Crossmember - front	
CHS107	RP114AR	5	Bracket - tie-bar - R/H	
CHS108	RP114AL	-	Bracket - tie-bar - L/H	
CHS109	RP121R	6	Wheel arch - front - R/H	
CHS110	RP121L	30	Wheel arch - front - L/H	
CHS111	RP122R	7	Flitch - R/H	
CHS112	RP122L	-	Flitch - L/H	
CHS113	RP122BR	8	Extension - flitch - R/H	
CHS114	RP122BL	-	Extension - flitch - L/H	
CHS115	RP156R	9	Tube and stud - bumper - R/H	
CHS116	RP156L	-	Tube and stud - bumper - L/H	
CHS117	RP123R	10	Pillar - hinge - R/H	
CHS118	RP123L	-	Pillar - hinge - L/H	
CHS119	RP179R	11	Panel - front - side - inner - R/H	
CHS120	RP179L	-	Panel - front - side - inner - L/H	
CHS150	RP157R	12	Bracket - flitch to wheel arch - R/H	
CHS151	RP157L	-	Bracket - flitch to wheel arch - L/H	
CHS122	CHS122	13	Box - battery	
CHS123	RP177	14	Crossmember - gearbox- mount	
CHS124	RP103	15	Crossmember - centre	
CHS125	RP105	16	Bracket - jacking	
CHS126	RP105A	17	Rubber - jacking bracket	
CHS140	RP109R	18	Plate - boxing - sill - R/H	
CHS141	RP109L	-	Plate - boxing - sill - L/H	
CHS142	RP111R	19	Finisher - sill - R/H	
CHS142SS	RP111AR	19	Finisher - sill - stainless - R/H	
CHS143	RP111L	-	Finisher - sill - L/H	
CHS143SS	RP111AL	-	Finisher - sill - stainless - L/H	
CHS144	RP110R	20	Kick-plate - R/H	
CHS145	RP110L	-	Kick-plate - L/H	
CHS136	RP127AR	22	Wing - inner - rear - R/H	
CHS137	RP127AL	-	Wing - inner - rear - L/H	
CHS138	RP106AR	23	Bracket - rear spring - front - R/H	See also CHS719
CHS139	RP106AL	-	Bracket - rear spring - front - L/H	See also CHS720
CHS719	RP106R	-	Spring hanger bracket (on plate) - R/H	
CHS720	RP106L	-	Spring hanger bracket (on plate) - L/H	
CHS730	RP133R	25	Panel - side repair - R/H	
CHS731	RP133L	-	Panel - side repair - L/H	
CHS152	CHS152SH	26	Crossmember - rear seat support	
CHS750	RP150	27	Boot-lid closing panel repair	
CHS726	RP148	28	Rear bootwell panel	
CHS756	RP153	29	Bracket - boot lock striker plate mounting	
CHS110	RP121L	30	Wheel arch - front - L/H	
CHS153	CHS153	31	Bracket - wiper motor mounting	
CHS748	RP159R	32/33	Flange - rear inner wing - R/H	
CHS749	RP159L	-	Flange - rear inner wing - L/H	
CHS723	RP127R	34	Rear inner wing repair - R/H	
CHS724	RP127L	-	Rear inner wing repair - L/H	
CHS732	RP108R	35	Sill - outer - R/H	
CHS733	RP108L	-	Sill - outer - L/H	
CHS746	RP107R	36	Sill member - R/H	
CHS747	RP107L	-	Sill member - L/H	
CHS754	RP164R	37	B' post repair - R/H	
CHS755	RP164L	-	B' post repair - L/H	
CHS761	RP137A	38	Plate - rear bump stop	



Part Number	ESM Order Ref.	Illus. No.	Description	Remarks
Body shell - convertible				
CHS101	RP116R	1	Leg - chassis - R/H	
CHS102	RP116L	-	Leg - chassis - L/H	
CHS103	RP101R	2	Tie-plate - R/H	
CHS104	RP101L	-	Tie-plate - L/H	
CHS105	RP119	3	Plate - top - front crossmember	
CHS106	RP120	4	Crossmember - front	
CHS107	RP114AR	5	Bracket - tie-bar - R/H	
CHS108	RP114AL	-	Bracket - tie-bar - L/H	
CHS109	RP121R	6	Wheel arch - front - R/H	
CHS110	RP121L	30	Wheel arch - front - L/H	
CHS111	RP122R	7	Flitch - R/H	
CHS112	RP122L	-	Flitch - L/H	
CHS113	RP122BR	8	E-tension - flitch - R/H	
CHS114	RP122BL	-	E-tension - flitch - L/H	
CHS115	RP156R	9	Tube and stud - bumper - R/H	
CHS116	RP156L	-	Tube and stud - bumper - L/H	
CHS117	RP123R	10	Pillar - hinge - R/H	
CHS118	RP123L	-	Pillar - hinge - L/H	
CHS119	RP179R	11	Panel - front - side - inner - R/H	
CHS120	RP179L	-	Panel - front - side - inner - L/H	
CHS150	RP157R	12	Bracket - flitch to wheel arch - R/H	
CHS151	RP157L	-	Bracket - flitch to wheel arch - L/H	
CHS122	CHS122	13	Box - battery	
CHS123	RP177	14	Crossmember - gearbox- mount	
CHS124	RP103	15	Crossmember - centre	
CHS125	RP105	16	Bracket - jacking	
CHS126	RP105A	17	Rubber - jacking bracket	
CHS140	RP109R	18	Plate - boxing - sill - R/H	
CHS141	RP109L	-	Plate - boxing - sill - L/H	
CHS142	RP111R	19	Finisher - sill - R/H	
CHS142SS	RP111AR	19	Finisher - sill - stainless - R/H	
CHS143	RP111L	-	Finisher - sill - L/H	
CHS143SS	RP111AL	-	Finisher - sill - stainless - L/H	
CHS144	RP110R	20	Kick-plate - R/H	
CHS145	RP110L	-	Kick-plate - L/H	
CHS136	RP127AR	22	Wing - inner - rear - R/H	
CHS137	RP127AL	-	Wing - inner - rear - L/H	
CHS138	RP106AR	23	Bracket - rear spring - front - R/H	See also CHS719
CHS139	RP106AL	-	Bracket - rear spring - front - L/H	See also CHS720
CHS719	RP106R	-	Spring hanger bracket (on plate) - R/H	
CHS720	RP106L	-	Spring hanger bracket (on plate) - L/H	
CHS730	RP133R	25	Panel - side repair - R/H	
CHS731	RP133L	-	Panel - side repair - L/H	
CHS152	CHS152SH	26	Crossmember - rear seat support	
CHS750	RP150	27	Boot-lid closing panel repair	
CHS726	RP148	28	Rear bootwell panel	
CHS756	RP153	29	Bracket - boot lock striker plate mounting	
CHS110	RP121L	30	Wheel arch - front - L/H	
CHS153	CHS153	31	Bracket - wiper motor mounting	
CHS748	RP159R	32/33	Flange - rear inner wing - R/H	
CHS749	RP159L	-	Flange - rear inner wing - L/H	
CHS723	RP127R	34	Rear inner wing repair - R/H	
CHS724	RP127L	-	Rear inner wing repair - L/H	
CHS732	RP108R	35	Sill - outer - R/H	
CHS733	RP108L	-	Sill - outer - L/H	
CHS746	RP107R	36	Sill member - R/H	
CHS747	RP107L	-	Sill member - L/H	
CHS752	RP164R	37	B' post repair - R/H	
CHS753	RP164L	-	B' post repair - L/H	
CHS761	RP137A	38	Plate - rear bump stop	

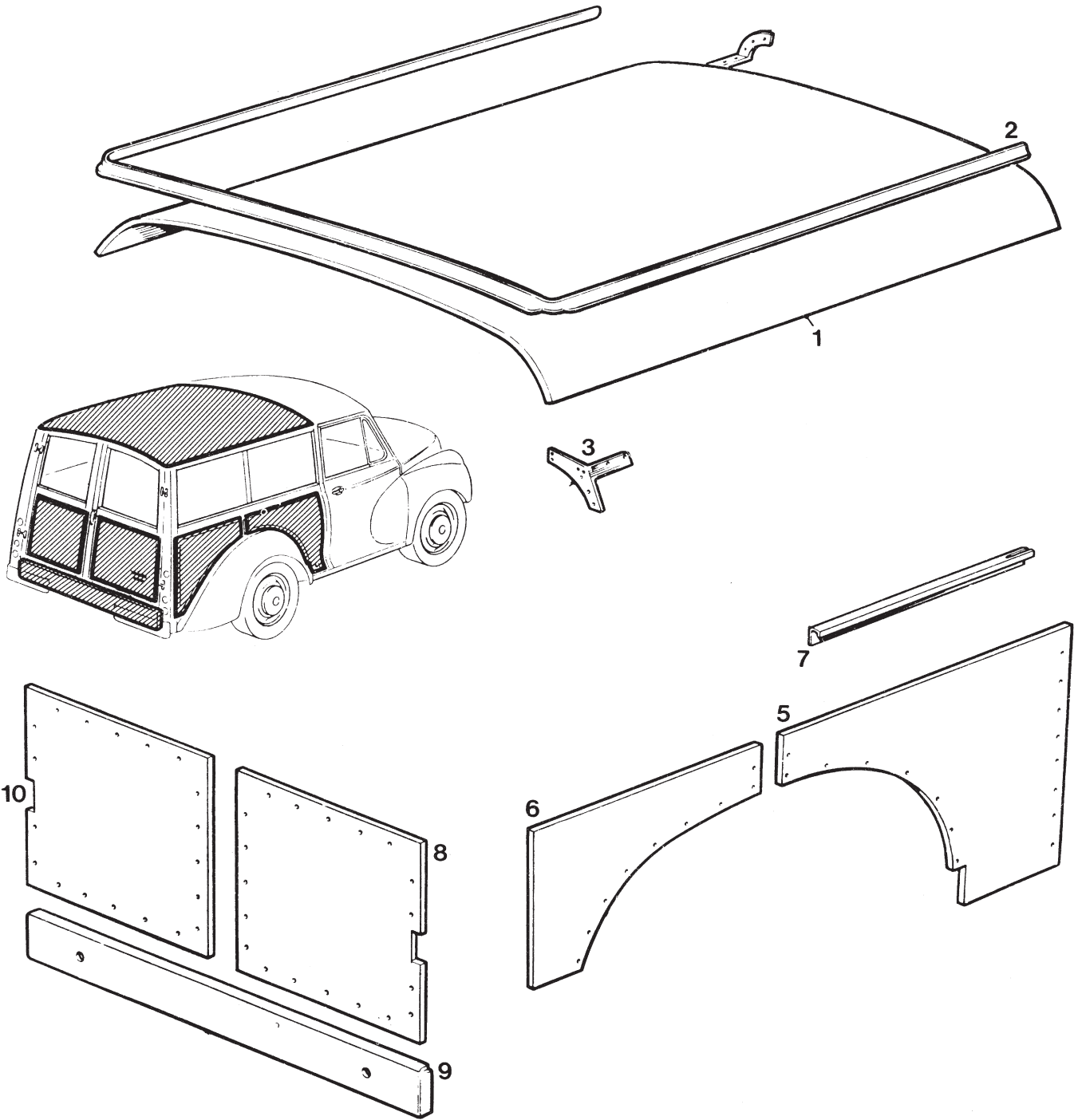


Part Number	ESM Order Ref.	Illus. No.	Description	Remarks
Body shell - Traveller				
CHS101	RP116R	1	Leg - chassis - R/H	
CHS102	RP116L	-	Leg - chassis - L/H	
CHS103	RP101R	2	Tie-plate - R/H	
CHS104	RP101L	-	Tie-plate - L/H	
CHS105	RP119	3	Plate - top - front crossmember	
CHS106	RP120	4	Crossmember - front	
CHS107	RP114AR	5	Bracket - tie-bar - R/H	
CHS108	RP114AL	-	Bracket - tie-bar - L/H	
CHS109	RP121R	6	Wheel arch - front - R/H	
CHS110	RP121L	29	Wheel arch - front - L/H	
CHS111	RP122R	7	Flitch - R/H	
CHS112	RP122L	-	Flitch - L/H	
CHS113	RP122BR	8	Extension - flitch - R/H	
CHS114	RP122BL	-	Extension - flitch - L/H	
CHS115	RP156R	9	Tube and stud - bumper - R/H	
CHS116	RP156L	-	Tube and stud - bumper - L/H	
CHS117	RP123R	10	Pillar - hinge - R/H	
CHS118	RP123L	-	Pillar - hinge - L/H	
CHS119	RP179R	11	Panel - front - side - inner - R/H	
CHS120	RP179L	-	Panel - front - side - inner - L/H	
CHS150	RP157R	12	Bracket - flitch to wheel arch - R/H	
CHS151	RP157L	-	Bracket - flitch to wheel arch - L/H	
CHS122	CHS122	13	Box - battery	
CHS123	RP177	14	Crossmember - gearbox mount	
CHS124	RP103	15	Crossmember - centre	
CHS125	RP105	16	Bracket - jacking	
CHS126	RP105A	17	Rubber - jacking bracket	
CHS140	RP109R	18	Plate - boxing - sill - R/H	
CHS141	RP109L	-	Plate - boxing - sill - L/H	
CHS142	RP111R	19	Finisher - sill - R/H	
CHS142SS	RP111AR	19	Finisher - sill - stainless - R/H	
CHS143	RP111L	-	Finisher - sill - L/H	
CHS143SS	RP111AL	-	Finisher - sill - stainless - L/H	
CHS144	RP110R	20	Kick-plate - R/H	
CHS145	RP110L	-	Kick-plate - L/H	
CHS148	RP127BR	21	Wing - inner - rear - R/H	
CHS149	RP127BL	-	Wing - inner - rear - L/H	
CHS138	RP106AR	22	Bracket - rear spring - front - R/H	See also CHS719
CHS139	RP106AL	-	Bracket - rear spring - front - L/H	See also CHS720
CHS719	RP106R	-	Spring hanger bracket (on plate) - R/H	
CHS720	RP106L	-	Spring hanger bracket (on plate) - L/H	
CHS152	CHS152SH	23	Crossmember - rear seat support	
CHS725	RP149	24	Rear bootwell panel	
CHS752	RP163R	25	B' post repair - R/H	
CHS753	RP163L	-	B' post repair - L/H	
CHS744	RP108BR	26	Sill - outer - R/H	
CHS745	RP108BL	-	Sill - outer - L/H	
CHS746	RP107R	27	Sill member - R/H	
CHS747	RP107L	-	Sill member - L/H	
CHS153	CHS153	28	Bracket - wiper motor mounting	
CHS110	RP121L	29	Wheel arch - front - L/H	
CHS727	RP158R	-	Inner wing - upper - rear - R/H	
CHS728	RP158L	30	Inner wing - upper - rear - L/H	
CHS723	RP127R	31	Rear inner wing repair - R/H	
CHS724	RP127L	-	Rear inner wing repair - L/H	
CHS761	RP137A	32	Plate - rear bump stop	

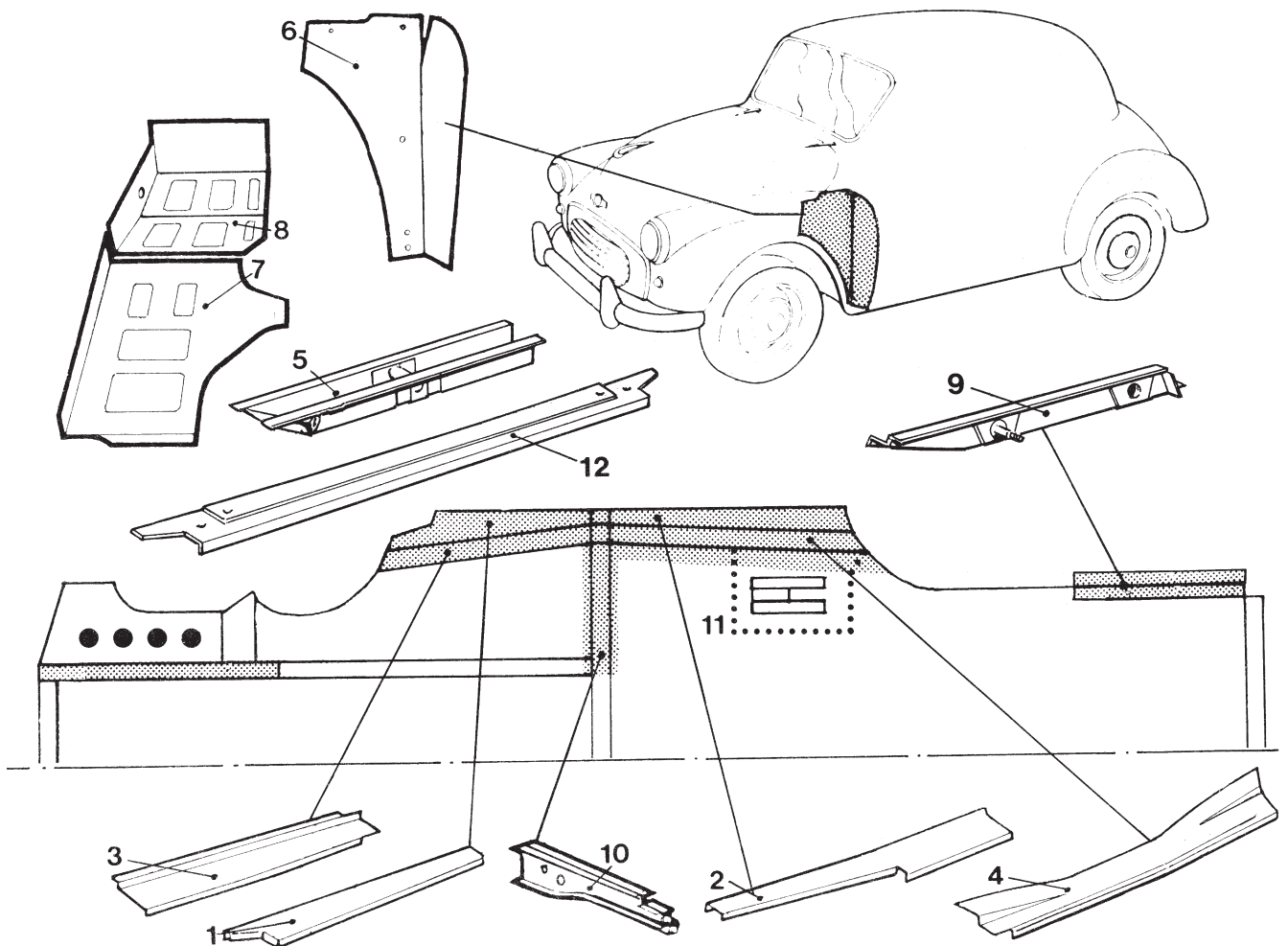


Part Number	ESM Order Ref.	Illus. No.	Description	Remarks
Traveller Timber				
MMT1001	T10A	1	Rail - top - roof - front	
MMT1003	T10B	3	Strip - roof	
MMT1004	T10	4	Rail - top - roof - rear	
MMT1005	T15AR	5	Capping - cant rail - R/H	
MMT1006	T15AL	-	Capping - cant rail - L/H	
MMT1007	T3R	6	Rail - cant - R/H	
MMT1008	T3L	-	Rail - cant - L/H	
MMT1009	T15R	7	Capping - waist rail - R/H	
MMT1010	T15L	-	Capping - waist rail - L/H	
MMT1011	MMT1011	8	Fillet - waist rail	
MMT1012	T4R	9	Rail - waist - R/H	
MMT1013	T4L	-	Rail - waist - L/H	
MMT1014	MMT1014	10	Fillet - cant rail	
MMT1015	T2R	11	Post - front - R/H	
MMT1016	T2L	-	Post - front - L/H	
MMT1017	T5R	12	Rail - sill - R/H	
MMT1018	T5L	-	Rail - sill - L/H	
MMT1019	MMT1019	12A	Fillet - sill rail	
MMT1020	T8R	13	Former - wheel arch - front - R/H	<i>Suggest use T16R</i>
MMT1021	T8L	-	Former - wheel arch - front - L/H	<i>Suggest use T16L</i>
MMT1022	T7R	14	Former - wheel arch - top - R/H	<i>Suggest use T16R</i>
MMT1023	T7L	-	Former - wheel arch - top - L/H	<i>Suggest use T16L</i>
MMT1024	T6R	15	Former - wheel arch - rear - R/H	<i>Suggest use T16R</i>
MMT1025	T6L	-	Former - wheel arch - rear - L/H	<i>Suggest use T16L</i>
MMT1057	T16R	-	Wheel arch assembly - R/H	<i>MMT1020/22/24 assembled</i>
MMT1058	T16L	-	Wheel arch assembly - L/H	<i>MMT1021/23/25 assembled</i>
MMT1026	T1R	16	Post - rear corner - R/H	<i>1098cc</i>
MMT1027	T1L	-	Post - rear corner - L/H	<i>1098cc</i>
MMT1051	MMT1051	-	Post - rear corner - R/H	<i>803cc and 948cc single hole</i>
MMT1052	MMT1052	-	Post - rear corner - L/H	<i>803cc and 948cc single hole</i>
MMT1028	T11	17	Block - wheel arch to waist rail	
MMT1029	T9	18	Rail - rear valance - top	<i>Use T9</i>
MMT1030	T9	19	Rail - rear valance - lower	<i>Use T9</i>
MMT1031	T9	20	Blocks for rear valance (set)	<i>Use T9</i>
MMT1059	T9	18/19/20	Rear valance assembly	<i>MMT1029/30/31 assembled</i>
MMT1032	MMT1032	21	Fillets - rear corner post	
EXT1001	T24	22	Rubber extrusion - rear door aperture (per foot)	<i>14 foot required</i>
-	T29	-	Rubber extrusion - between rear doors	
MMT1034	T15BR	23	Capping - front post - R/H	
MMT1035	T15BL	-	Capping - front post - L/H	
MMT1036	MMT1036	24	Floorboard - R/H	
MMT1037	MMT1037	-	Floorboard - L/H	
MMT1038	T31	25	Cover - spare wheel compartment	
MMT1039	T32	26	Fillet - spare wheel compartment cover	
MMT1040	MMT1040	27	Rail - rear door - top - R/H	
MMT1041	MMT1041	-	Rail - rear door - top - L/H	
MMT1042	MMT1042	28	Rail - rear door - waist - R/H	
MMT1043	MMT1043	-	Rail - rear door - waist - L/H	
MMT1044	MMT1044	29	Rail - rear door - bottom	
MMT1046	MMT1046	30	Pillar - rear door - hinge - R/H	
MMT1047	MMT1047	-	Pillar - rear door - hinge - L/H	
MMT1048	MMT1048	31	Pillar - rear door - shut - L/H	
MMT1049	MMT1049	-	Pillar - rear door - shut - R/H	
MMT1050	T12A	32	Fillets for glass (set)	
LOG1001	LOG1001	33	Motif - "Minor"	
LOG1002	LOG1002	34	Motif - "1000"	
FAS1004	FAS1004	-	Retainer - badge fixing	
MMT1053	T17R	-	Frame assembled - R/H	<i>1098cc</i>
MMT1054	T17L	-	Frame assembled - L/H	<i>1098cc</i>
MMT1055	T12R	-	Door assembled - R/H	
MMT1056	T12L	-	Door assembled - L/H	
MMT1060	MMT1060	-	Frame assembled - R/H	<i>803cc and 948cc single hole</i>
MMT1061	MMT1061	-	Frame assembled - L/H	<i>803cc and 948cc single hole</i>
CHS721	RP162R	35	Closing panel (metal) - R/H	
CHS722	RP162L	-	Closing panel (metal) - L/H	
MM101T	T21	36	Bolt - front post - short	
MM102T	T20	37	Bolt - front post - long	
MM103T	T22B	-	Coach bolt and nut - rear door hinge	
MM104T	T22B	-	Coach bolt and nut - rear corner post - lower	
MM105T	T22A	-	Coach bolt and nut - rear valance fixing	

Part Number	ESM Order Ref.	Illus. No.	Description	Remarks
Panels - rear - Traveller				
ALY101	ALY101SH	1	Panel - roof	
ALY102	T19	2	Moulding - drip	<i>Supplied in 7ft lengths</i>
ALY103	ALY103SH	3	Bracket - rear corner -R/H	
ALY104	ALY104SH	-	Bracket - rear corner -L/H	
ALY107	T40R	5	Panel - body side - front - R/H	
ALY108	T40L	-	Panel - body side - front - L/H	
ALY109	T41R	6	Panel - body side - rear - R/H	
ALY110	T41L	-	Panel - body side - rear - L/H	
ALY111	ALY111	7	Fillet - metal - waist rail capping -R/H	
ALY112	ALY112	-	Fillet - metal - waist rail capping -L/H	
ALY113	T42R	8	Panel - door - R/H	
ALY114	T42L	10	Panel - door - L/H	
ALY115	RP139	9	Valance - rear	

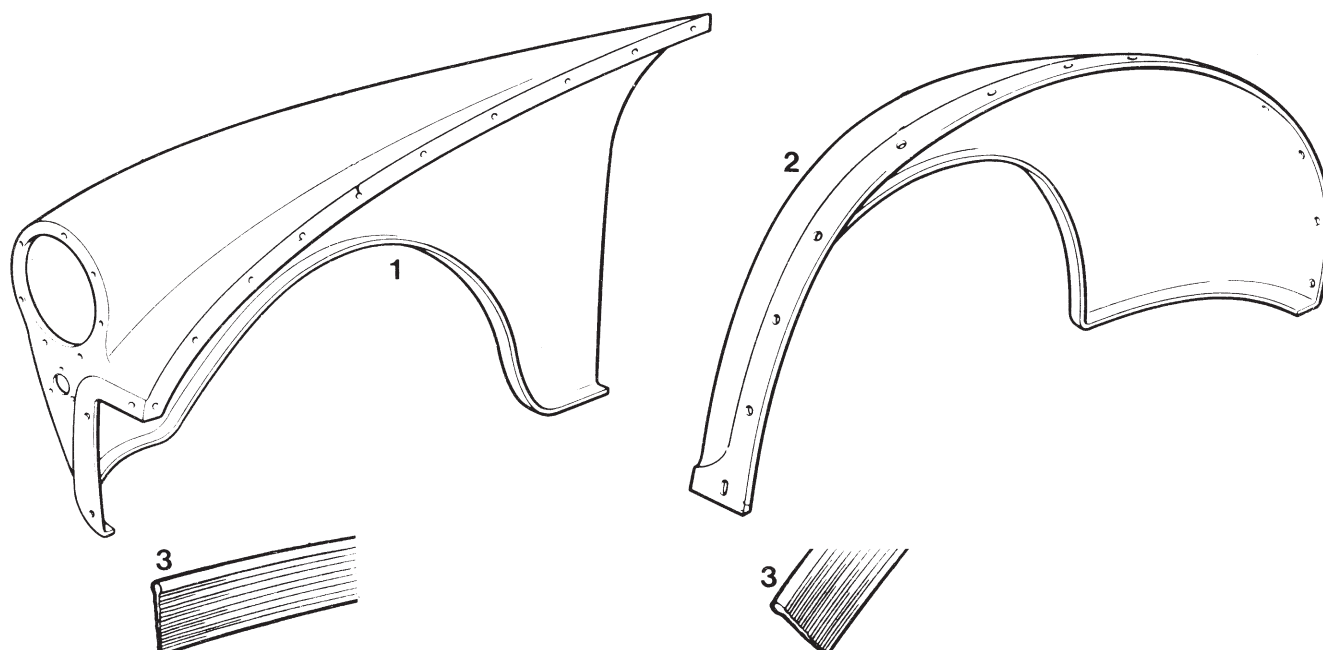


Part Number	ESM Order Ref.	Illus. No.	Description	Remarks
Repair panels - all models				
CHS701	RP108CR	1	Quarter panel - outer - front - R/H	
CHS702	RP108CL	-	Quarter panel - outer - front - L/H	
CHS703	RP108DR	2	Quarter panel - outer - rear - R/H	
CHS704	RP108DL	-	Quarter panel - outer - rear - L/H	
CHS705	RP134R	3	Quarter panel - inner - front - R/H	
CHS706	RP134L	-	Quarter panel - inner - front - L/H	
CHS707	RP135R	4	Quarter panel - inner - rear - R/H	
CHS708	RP135L	-	Quarter panel - inner - rear - L/H	
CHS940	RP114R	-	Chassis leg repair - R/H	
CHS941	RP114L	5	Chassis leg repair - L/H	
CHS710	RP124AR	-	Flitch and hinge pillar repair - R/H	
CHS711	RP124AL	6	Flitch and hinge pillar repair - L/H	
CHS712	RP102BR	7	Floor pan - front - R/H	
CHS712/4	RP102AR	-	Half floor pan - R/H	
CHS713	RP102BL	-	Floor pan - front - L/H	
CHS713/5	RP102AL	-	Half floor pan - L/H	
CHS714	RP102CR	8	Floor pan - rear - R/H	
CHS715	RP102CL	-	Floor pan - rear - L/H	
CHS716	RP138R	9	Rear spring hanger - R/H	
CHS717	RP138L	-	Rear spring hanger - L/H	
CHS718	RP104	10	Crossmember end	
CHS719	RP106R	11	Front spring hanger bracket (on plate)	
CHS720	RP106L	-	Front spring hanger bracket (on plate)	
CHS732	RP108R	-	Sill - outer - 2dr saloon/convertible - R/H	
CHS733	RP108L	-	Sill - outer - 2dr saloon/convertible - L/H	
CHS734	RP108AR	12	Sill - outer - 4dr saloon - R/H	
CHS735	RP108AL	-	Sill - outer - 4dr saloon - L/H	
CHS744	RP108BR	-	Sill - outer - Traveller - R/H	
CHS745	RP108BL	-	Sill - outer - Traveller - L/H	

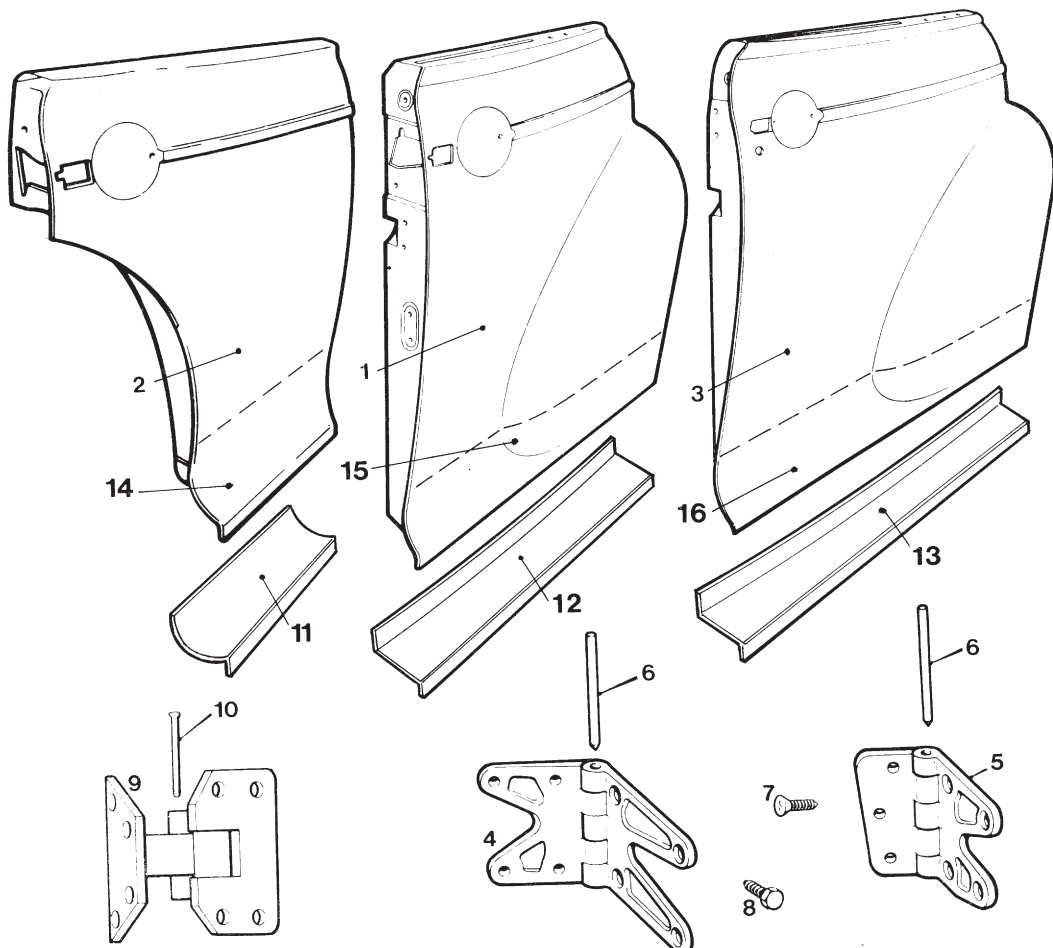


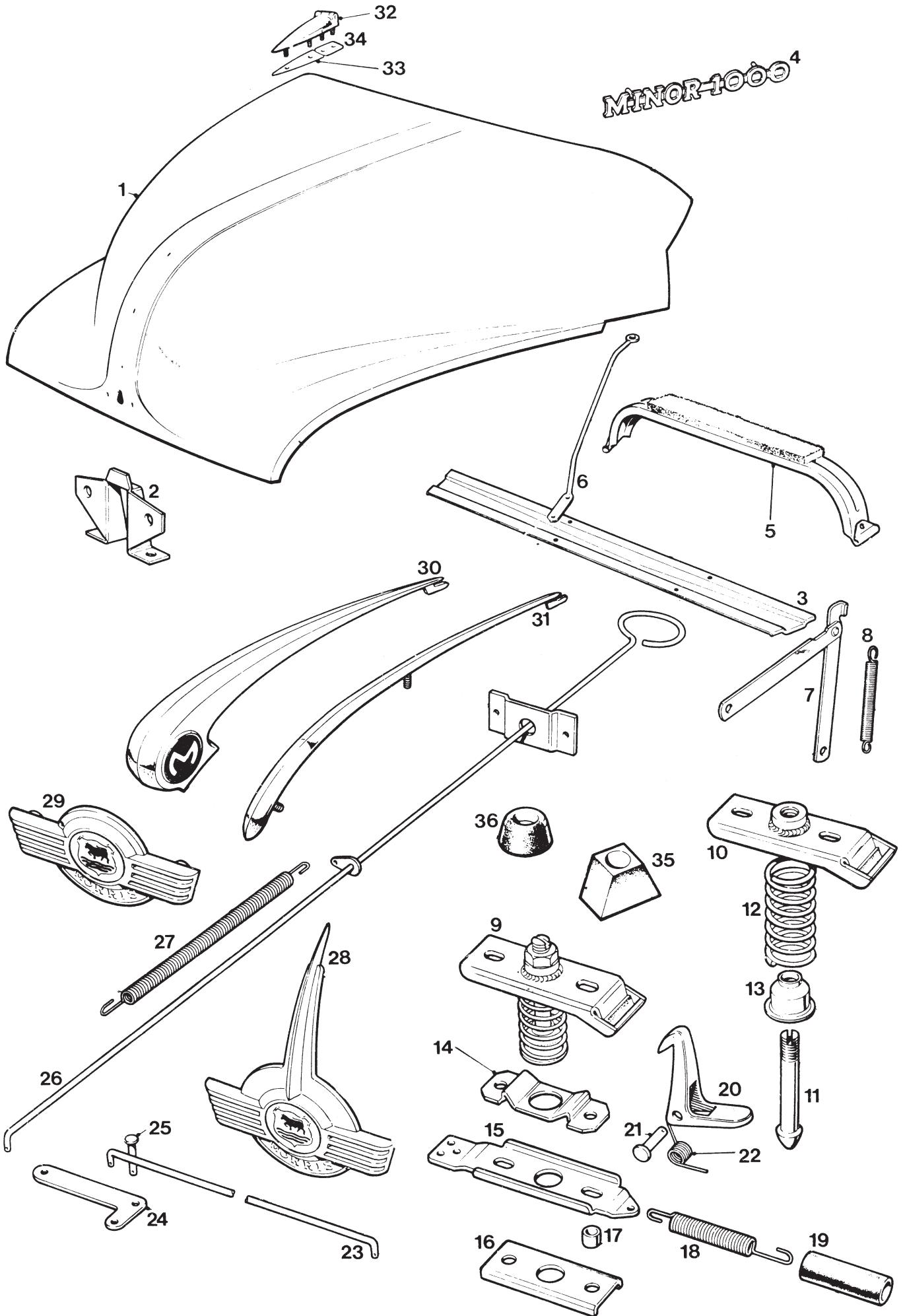
Part Number	ESM Order Ref.	Illus. No.	Description	Remarks
Wings - all models				
PAN120	PAN120	-	Wing - front - R/H	No side-light aperture - modified Heritage
PAN121	PAN121	-	Wing - front - L/H	No side-light aperture - modified Heritage
PAN122	PAN122	1	Wing - front - R/H	Round side-light aperture - modified Heritage
PAN123	PAN123	-	Wing - front - L/H	Round side-light aperture - modified Heritage
PAN124A	RP125R	-	Wing - front - R/H	1098cc - non genuine
PAN125A	RP125L	-	Wing - front - L/H	1098cc - non genuine
PAN124	RP126R	-	Wing - front - R/H	1098cc - genuine Heritage
PAN125	RP126L	-	Wing - front - L/H	1098cc - genuine Heritage
PAN126	RP129BR	-	Wing - rear - R/H	MM & 803cc saloons - modified Heritage
PAN127	RP129BL	-	Wing - rear - L/H	MM & 803cc saloons - modified Heritage
PAN128	RP129R	2	Wing - rear - R/H	948cc & 1098cc saloons - genuine Heritage
PAN129	RP129L	-	Wing - rear - L/H	948cc & 1098cc saloons - genuine Heritage
PAN128A	RP129AR	2	Wing - rear - R/H	948cc & 1098cc saloons - non genuine
PAN129A	RP129AL	-	Wing - rear - L/H	948cc & 1098cc saloons - non genuine
PAN130	RP140R	-	Wing - rear - R/H	Traveller - all years - genuine Heritage
PAN131	RP140L	-	Wing - rear - L/H	Traveller - all years - genuine Heritage
PAN130FG	RP140AR	-	Wing - rear - R/H	Traveller - all years - glass fibre
PAN131FG	RP140AL	-	Wing - rear - L/H	Traveller - all years - glass fibre
PAN801	FIX101	-	Bolt - wing fixing - 5/16" BSF	Not Traveller rear
-	FIX101A	-	Acme screw	Traveller rear wing fixing

Piping - wing				
TRM101	TRM101	3	Black	
TRM103	TRM103	3	Smoke Grey	
TRM104	TRM104	3	Dark Grey	
TRM106	TRM106	3	Almond Green	
TRM107	TRM107	3	Rose Taupe	
TRM108	TRM108	3	Trafalgar Blue	
TRM109	TRM109	3	White	
TRM111	TRM111	3	Maroon 'B'	



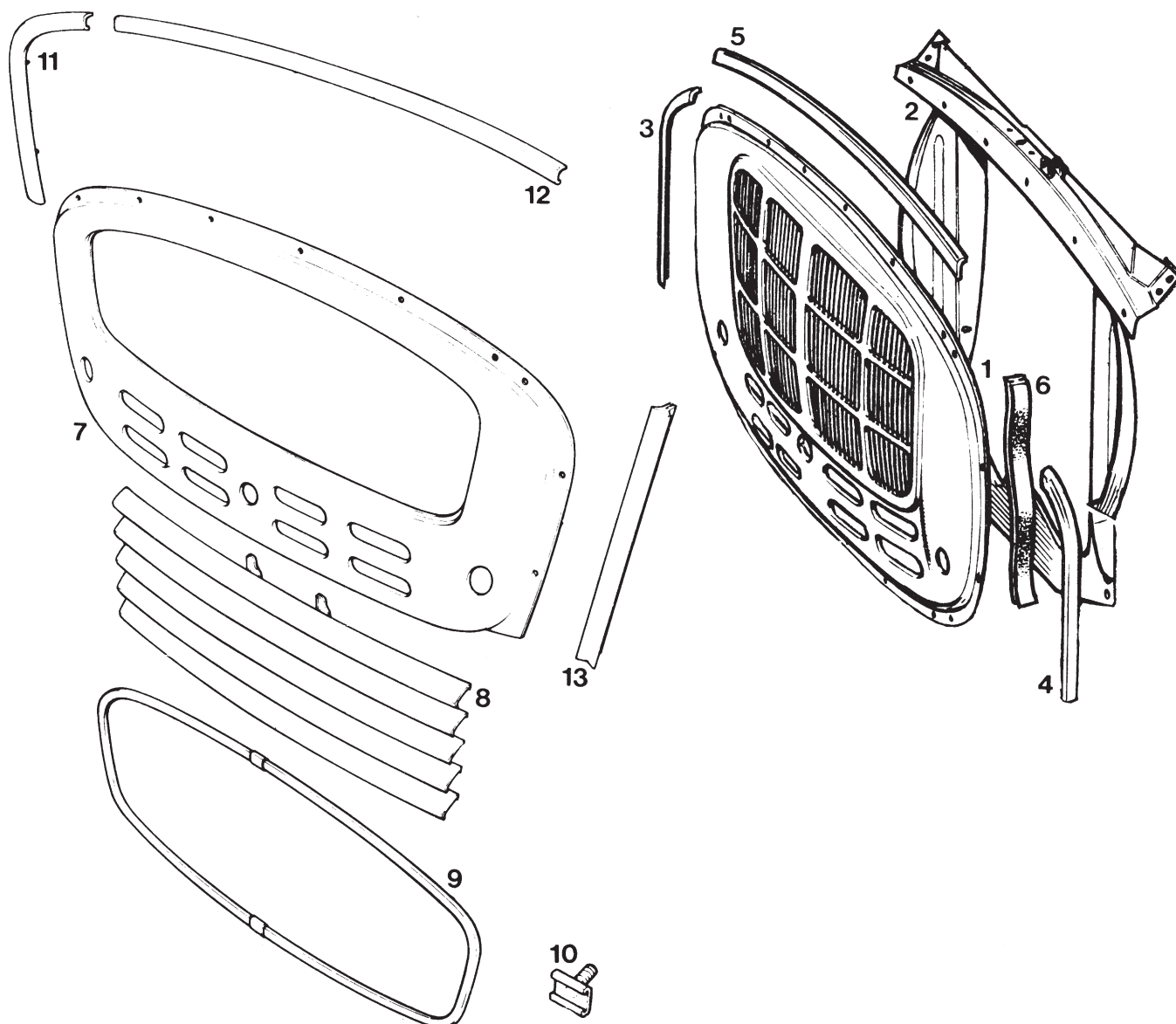
Part Number	ESM Order Ref.	Illus. No.	Description	Remarks
Doors - 4dr saloon				
PAN132	PAN132SH	1	Door - front - R/H	
PAN133	PAN133SH	-	Door - front - L/H	
PAN134	PAN134SH	2	Door - rear - R/H	
PAN135	PAN135SH	-	Door - rear - L/H	
CHS770	RP131AR	15	Door skin repair panel - front - R/H	
CHS771	RP131AL	-	Door skin repair panel - front - L/H	
CHS766	RP132BR	12	Door underside repair panel - front - R/H	
CHS767	RP132BL	-	Door underside repair panel - front - L/H	
CHS742	RP132R	14	Door skin repair panel - rear - R/H	
CHS743	RP132L	-	Door skin repair panel - rear - L/H	
CHS757	RP132CR	11	Door underside repair panel - rear - R/H	
CHS758	RP132CL	-	Door underside repair panel - rear - L/H	
Front doors - 2dr, convertible and Traveller				
PAN136	PAN136SH	3	Door - R/H	
PAN137	PAN137SH	-	Door - L/H	
PAN803	RP132DL	-	Door skin - R/H	
PAN804	RP132DR	-	Door skin - L/H	
CHS738	RP131L	16	Door skin repair panel - R/H	
CHS739	RP131R	-	Door skin repair panel - L/H	
CHS740	RP132AR	13	Underside repair panel - R/H	
CHS741	RP132AL	-	Underside repair panel - L/H	
Front doors - all models				
HNG501	HNG501	4	Hinge - upper - R/H	
HNG502	HNG502	-	Hinge - upper - L/H	
HNG503	HNG503	5	Hinge - lower - R/H	
HNG504	HNG504	-	Hinge - lower - L/H	
HNG505	HNG505	6	Pin - hinge - standard size	
HNG505A	HNG510	6	Pin - hinge - oversize - 0.328"	
HNG506	HNG506	7	Screw - hinge to door - countersunk - 5/16" BSF	
HNG507	HNG507	8	Bolt - hinge to pillar - 5/16" BSF hex head	



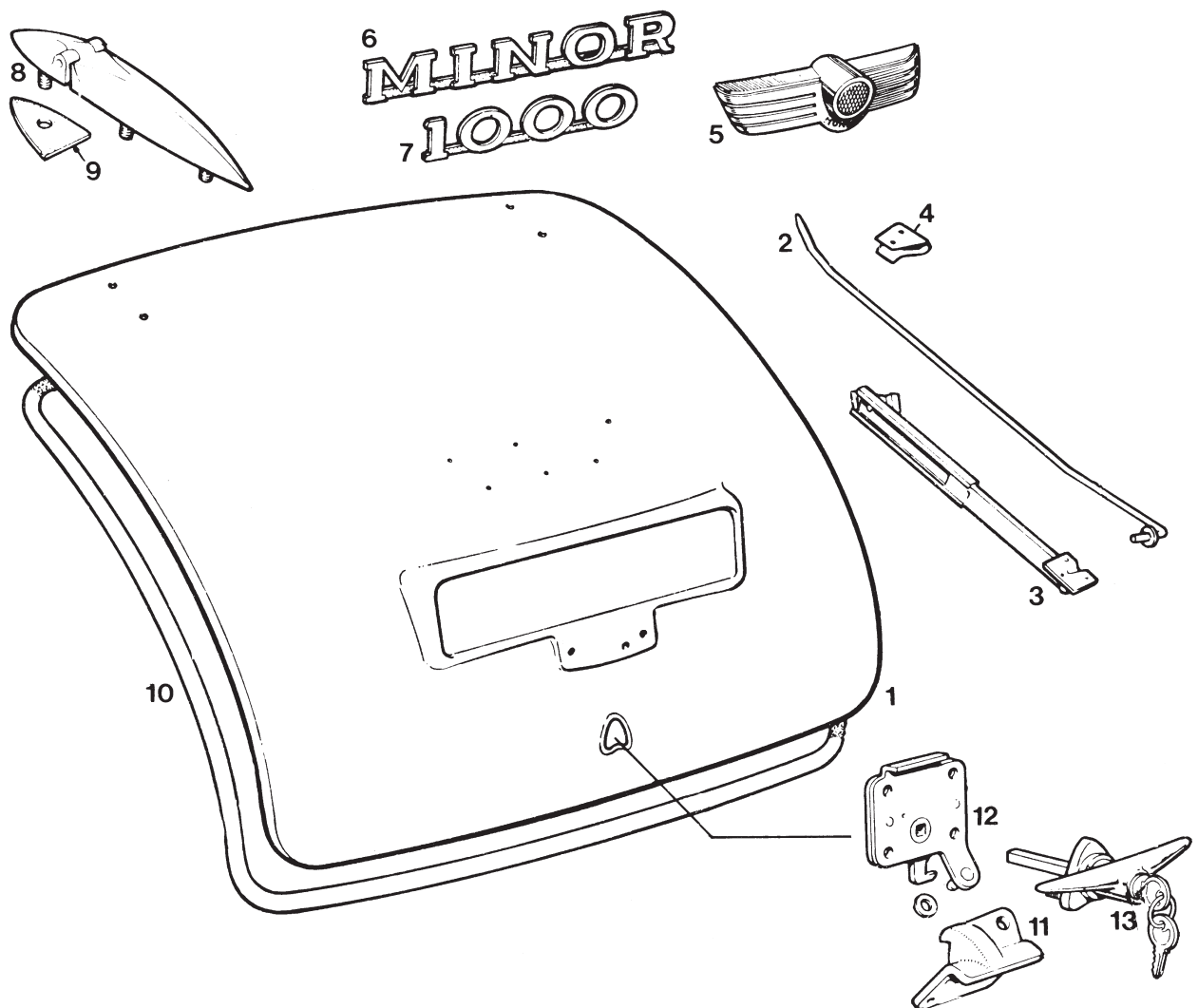


Part Number	ESM Order Ref.	Illus. No.	Description	Remarks
Bonnet panel and fittings - all models				
PAN139	RP160	1	Bonnet	
BPF101	BPF101SH	2	Bracket - lock - upper	
BPF102	BPF102SH	3	Crossmember	
LOG1003	LOG1003	4	Bonnet side badge - 'Minor 1000'	
LOG1004	SV125	-	Bonnet side badge - 'Morris Minor'	
FAS1001	FAS1001	-	Fixing clip for LOG1003/4	
BPF103	BPF103SH	5	Strip - anti-drum	
BPF104	BPF104SH	6	Rod - stiffener - R/H	
BPF105	BPF105SH	-	Rod - stiffener - L/H	
BPF106	BPF106SH	7	Prop - bonnet	
BPF107	BPF107	8	Spring - bonnet prop	
BPF108	BPF108SH	9	Pin - assembly - striker	
BPF109	BPF109SH	10	Bracket - lock - upper	
BPF110	BPF110	11	Pin	
BPF111	BPF111	12	Spring - bonnet prop	
BPF112	BPF112	13	Cup	
BPF113	BPF113	14	Plate - slider guide	
BPF114	BPF114SH	15	Slider	
BPF115	BPF115SH	16	Support - slide - lock	
BPF116	BPF116SH	17	Tube - distance - slider	
BPF117	BPF117	18	Spring - slider - tension	
BPF118	BPF118SH	19	Sleeve - slider tension spring	
BPF119	BPF119	20	Catch - safety	
BPF120	BPF120SH	21	Pin - safety catch	
BPF121	BPF121	22	Spring - safety catch	
BPF122	BPF122SH	23	Rod - lever to slider	
BPF123	BPF123SH	24	Lever	
BPF124	BPF124	25	Pin - lever pivot	
BPF125	BPF125SH	26	Rod - lock control	
BPF126	BPF126	27	Spring - anti-rattle	
BPF127	BPF127	28	Motif	
BPF128	BPF128	29	Motif	
BPF129	BPF129	30	Flash	
BPF130	BPF130	31	Flash	
BPF131	Use BPF131/2	32	Hinge - R/H	
BPF132	BPF132	-	Hinge - L/H	
BPF131/2	BPF131/2	-	Hinge - pair	
BPF133	BPF133	33/34	Bonnet hinge gasket (two part)	
BPF135	BPF135	35	Buffer - bonnet	
BPF136	BPF136	36	Buffer - dash	

Part Number		Illus. No.	Description	Remarks
Radiator grille - all models				
PAN140	PAN140F	1	Grille - radiator - glass fibre	
RAD113	Use RP144A	2	Cowl assembly	Late 803cc and 948cc
RAD114	Use RP144A	-	Cowl assembly	1098cc
-	RP144	2	Cowl assembly	
RGF101	SV123	3	Hockey stick' - R/H	For use with PAN140
RGF102	SV124	4	Hockey stick' - L/H	For use with PAN140
RGF103	RGF103	5	Surround - top	
RGF104	RGF104	6	Sealing strip - rubber	
PAN142	RP154	7	Surround - grille	
PAN143	RP155	8	Grille	
RGF105	RGF105	9	Finisher - grille	
RGF106	RGF106	10	Captive stud for RGF105	16 required
RGF106A	RGF106A		Captive stud and nut set for RGF105	Contains 16 nuts and studs
RGF107	RGF107	11	Hockey stick' - R/H	
RGF108	RGF108	-	Hockey stick' - L/H	
RGF103	RGF103	12	Surround - top	
RGF104	RGF104	13	Sealing strip - rubber	



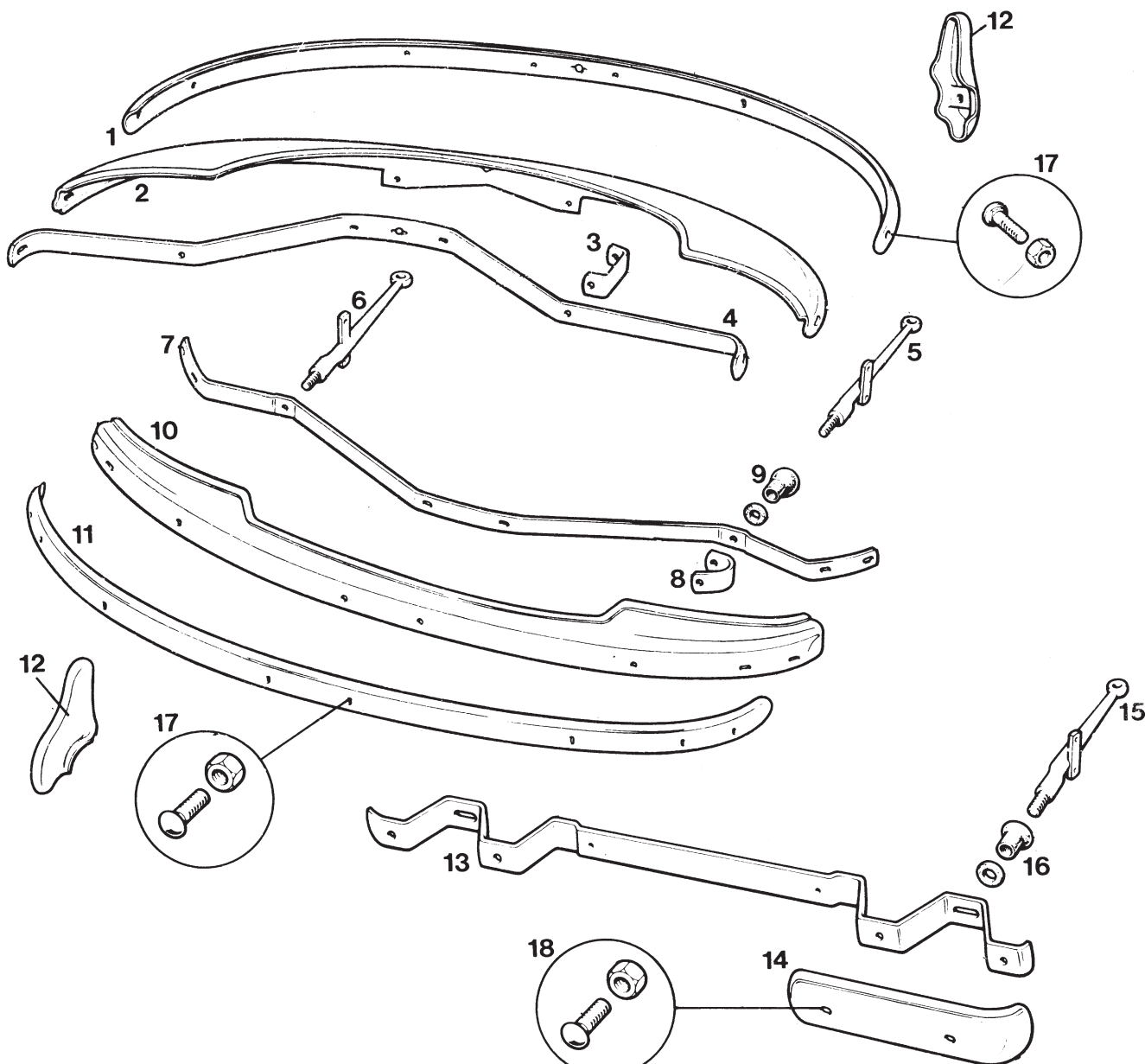
Part Number	ESM Order Ref.	Illus. No.	Description	Remarks
Bootlid and fittings				
PAN145	Use RP130	1	Lid - boot	803cc
PAN146	Use RP130	1	Lid - boot	For 'rod' type stay-bar
PAN147	RP130	1	Lid - boot	For 'telescopic' type stay-bar
BLF101	BLF101SH	2	Stay - rod	
BLF102	BLF102SH	3	Stay - telescopic	
BLF115	BLF115	4	Clip - rubber	
BLF104	SV126	5	Flash - less reflector	
LOG1001	LOG1001	6	Motif 'Minor'	
LOG1002	LOG1002	7	Motif '1000'	
FAS1002	FAS1002	-	Fixing clip for LOG1001/2	
BLF105	Use BLF105_6	-	Hinge - boot-lid - R/H	
BLF106	Use BLF105_6	8	Hinge - boot-lid - L/H	
BLF105/6	BLF105_6	-	Hinge - boot-lid - pair	
BLF107	BLF107	9	Gasket - hinge to body	
BLF108	BLF108	10	Bootlid sealing rubber	Fits to bootlid
BLF108A	BLF108A	-	Bootlid sealing rubber (pre 705328)	Fits to body NOT bootlid
BLF109	BLF109	11	Plate - lock striker	Zinc plated
BLF109C	BLF109C	11	Plate - lock striker	Chrome plated
BLF110	BLF110	12	Lock	
BLF111	KEY113	13	Handle - boot locking	Stud fixing type
BLF111A	KEY112	-	Handle - boot locking	Screw fixing type (MM & 803cc)



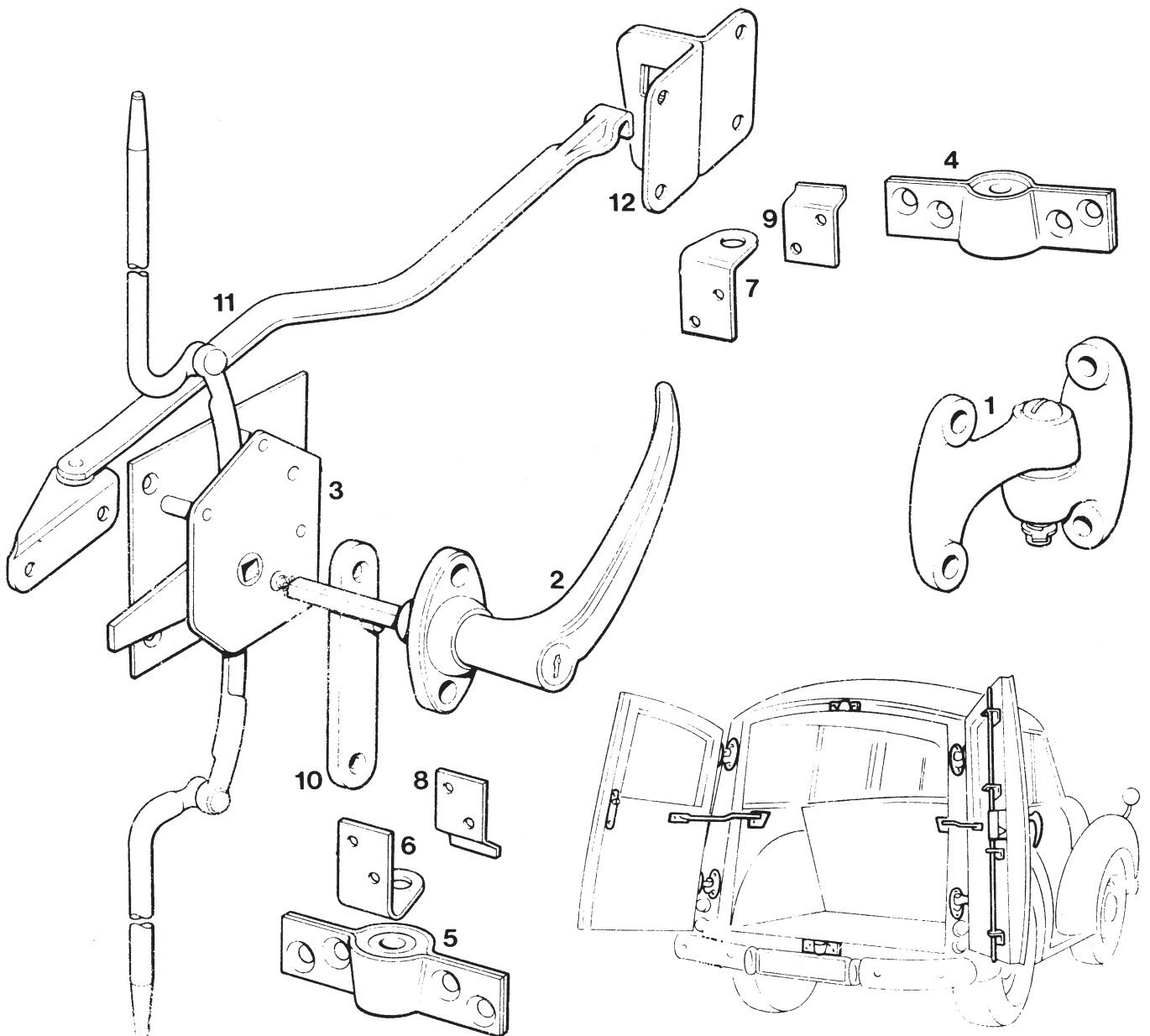
Part Number	ESM Order Ref.	Illus. No.	Description	Remarks
-------------	----------------	------------	-------------	---------

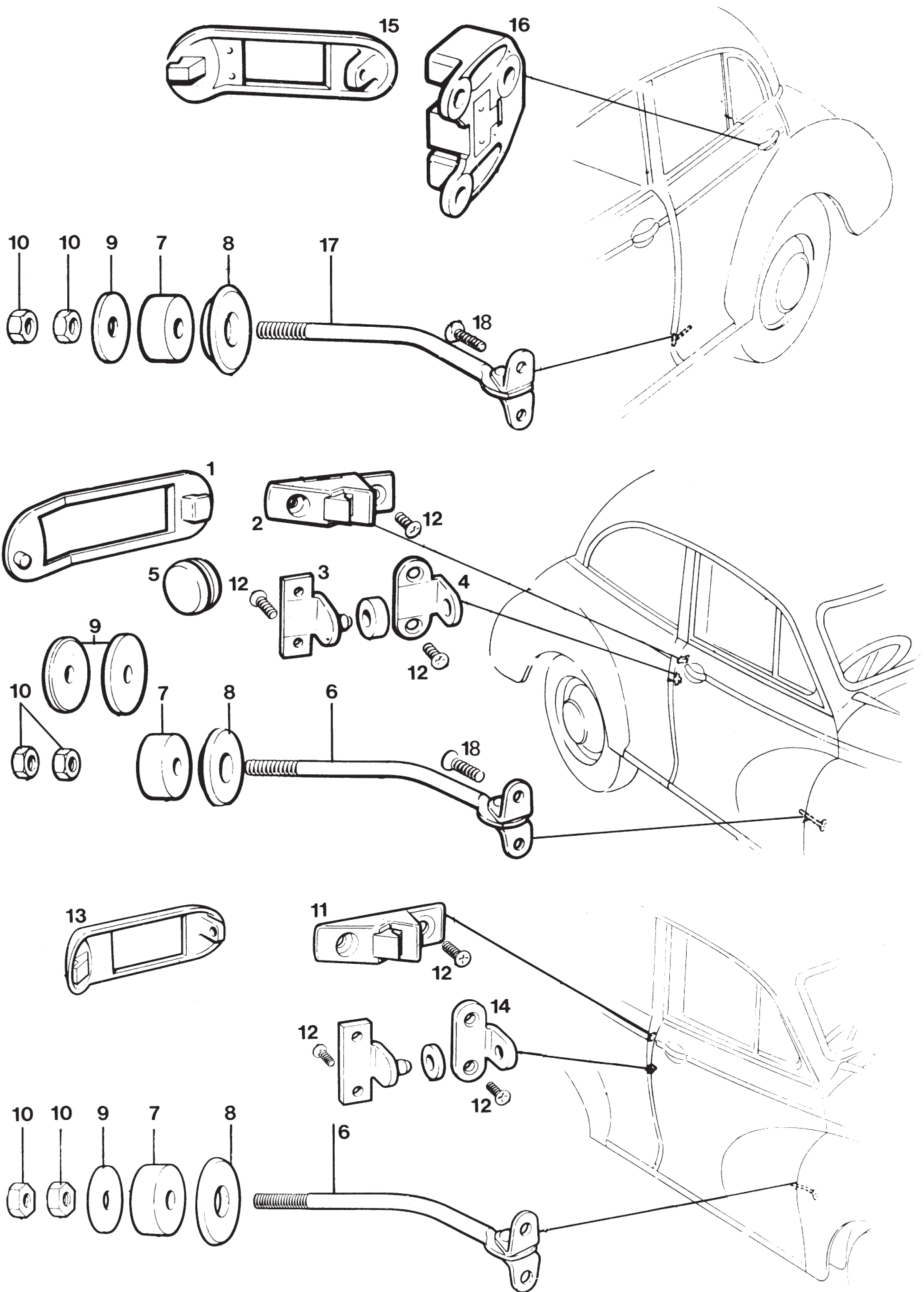
Front and rear bumpers - all models

PAN101	PAN101A	1	Bumper blade - chrome - front	
PAN102	PAN102	2	Valance - front - steel	
PAN102FG	PAN102F	2	Valance - front - glass fibre	
-	SV135	-	Valance - front - glass fibre (early 803cc)	
PAN103	PAN103	3	Spring - over-rider support - front	
PAN104	PAN104	4	Bar - mounting - front	
PAN105	PAN105	5	Stud - mounting - rear R/H	
PAN106	PAN106	6	Stud - mounting - rear L/H	
PAN107	PAN107	7	Bar - mounting - rear	
PAN108	PAN108	8	Spring - over-rider support - rear	
PAN109	PAN109	9	Ferrule	
-	PAN109A	-	Inner grommet (fits under PAN109)	
PAN110	PAN110	10	Valance - rear - steel	
PAN110FG	PAN110F	10	Valance - rear - glass fibre	
PAN111	PAN111A	11	Bumper blade - chrome - rear	
PAN112	PAN112A	12	Over-rider	
PAN113	PAN113	13	Bar - mounting - rear	Traveller
PAN114	PAN114	14	Blade - rear	Traveller
PAN117	PAN117	16	Ferrule	Traveller
PAN118	PAN118	17	Bolt - chrome - and nut	
PAN119	PAN119	18	Bolt - chrome - and nut	Traveller

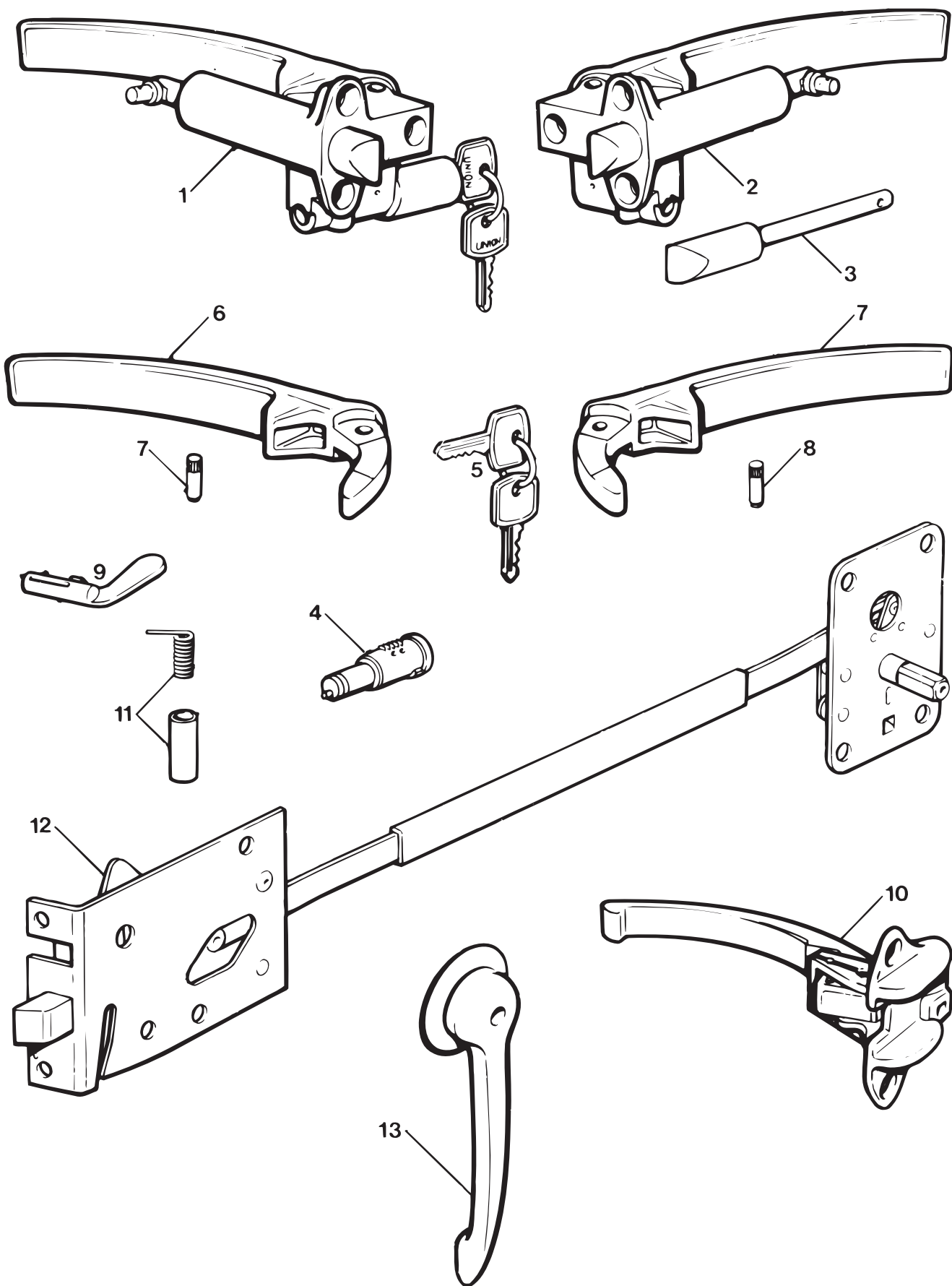


Part Number	ESM Order Ref.	Illus. No.	Description	Remarks
HNG101	HNG101SH	1	Hinge assembly - Upper - R/H	
HNG102	HNG102SH	-	Hinge assembly - Upper - L/H	
HNG103	HNG103SH	-	Hinge assembly - Lower - R/H	
HNG104	HNG104SH	-	Hinge assembly - Lower - L/H	
AAA318	T23	-	Hinge repair kit	
LKG101	KEY111	2	Handle assembly - locking	
LKG102	LKG102SH	3	Device - locking	
LKG103	T33	4	Socket - locking rod - upper	
LKG103	T33	5	Socket - locking rod - lower	
LKG104	LKG104SH	6	Plate - locking rod guide - upper and lower	
LKG105	LKG105SH	7	Plate - locking rod guide - centre	
LKG106	LKG106SH	8	Spring - anti-rattle - upper and lower	
LKG107	LKG107SH	9	Spring - anti-rattle - centre	
LKG108	LKG108SH	10	Plate - striker	
LKG109	LKG109SH	11	Check - door - R/H	
LKG110	LKG110SH	-	Check - door - L/H	
LKG111	LKG111SH	12	Plate - guide - R/H	
LKG112	LKG112SH	-	Plate - guide - L/H	





Part Number	ESM Order Ref.	Illus. No.	Description	Remarks
Door checks - all models				
DCH101	DCH101	1	Escutcheon	<i>2-door vehicles</i>
DCH102	DCH102	2	Plate - striker	
DCH103	DCH136	3	Plate - pin - dovetail	
DCH104	DCH135	4	Plate - socket	
DCH105	DCH105	5	Ferrule - blanking	
DCH106	DCH106	6	Arm - door check - R/H	
DCH107	DCH107	-	Arm - door check - L/H	
DCH108	DCH108	7	Buffer	
DCH109	DCH109	8	Grommet - rubber	
DCH110	FIX102	9	Washer	
DCH111	FIX131	10	Nut - 5/16" BSF	
DCH112	DCH112	11	Plate - striker	<i>4-door saloon</i>
DCH113	FIX125	12	Screw - 2BA x 5/8" countersunk flat head	
DCH114	DCH114	13	Escutcheon - door - front - R/H	<i>4-door saloon</i>
DCH115	DCH115	-	Escutcheon - door - front - L/H	<i>4-door saloon</i>
DCH116	DCH116	15	Escutcheon - door - rear - R/H	<i>4-door saloon</i>
DCH117	DCH117	-	Escutcheon - door - rear - L/H	<i>4-door saloon</i>
DCH118	DCH135	14	Plate - socket	<i>4-door saloon</i>
DCH119	DCH119SH	16	Plate - striker and dovetail - R/H	<i>4-door saloon</i>
DCH120	DCH120SH	-	Plate - striker and dovetail - L/H	<i>4-door saloon</i>
DCH121	DCH121SH	17	Arm - door check - rear	<i>4-door saloon</i>
DCH122	DCH122	18	Screw - 1/4" BSF	

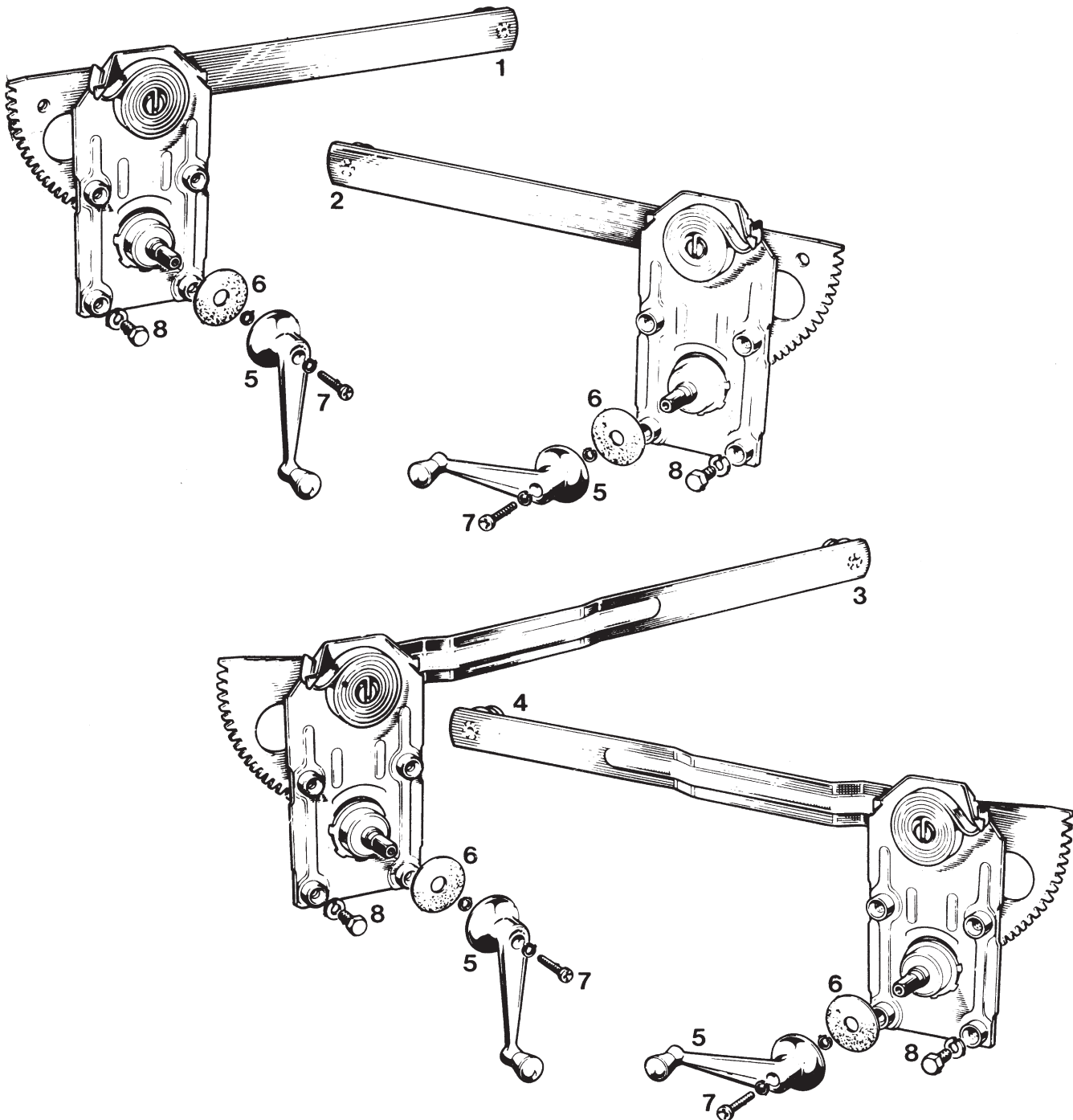


Part Number	ESM Order Ref.	Illus. No.	Description	Remarks
Handles - all models				
2-door saloon, convertible and Traveller				
DLK101	DLK101SH	1	Handle assembly - locking R/H	
DLK102	DLK102SH	2	Handle assembly - non-locking L/H	
DLK103	DLK103SH	-	Handle assembly - locking L/H	
DLK123	DLK123	3	Bolt locking	
DLK104	KEY105	4	Barrel assembly - locking	
		5	Key	See section 12
DLK105	DLK105	6	Handle - R/H	
DLK106	DLK106	7	Handle - L/H	
DLK107	DLK107	8	Pin - outer handle	
DLK108	DLK108	9	Catch - locking - left hand door	
DLK109	DLK109	-	Catch - locking - right hand door	
DLK119	DLK119SH	12	Lock assembly - R/H	
DLK120	DLK120SH	-	Lock assembly - L/H	
4-door saloon - front				
DLK110	DLK110	10	Handle assembly - locking - R/H	
DLK111	DLK111	-	Handle assembly - L/H	
DLK112R	DLK112R	11	Spring and barrel - R/H	
DLK112L	DLK112L	-	Spring and barrel - L/H	
DLK115	DLK115SH	12	Lock assembly - R/H	
DLK116	DLK116SH	-	Lock assembly - L/H	
4-door saloon - rear				
DLK113	DLK113SH	-	Handle assembly - R/H	
DLK114	DLK114SH	-	Handle assembly - L/H	
DLK117	DLK117SH	12	Lock assembly - R/H	
DLK118	DLK118SH	-	Lock assembly - L/H	
All models				
DLK121	DLK121	13	Handle - remote control	

Part Number	ESM Order Ref.	Illus. No.	Description	Remarks
-------------	----------------	------------	-------------	---------

Window regulators - all models

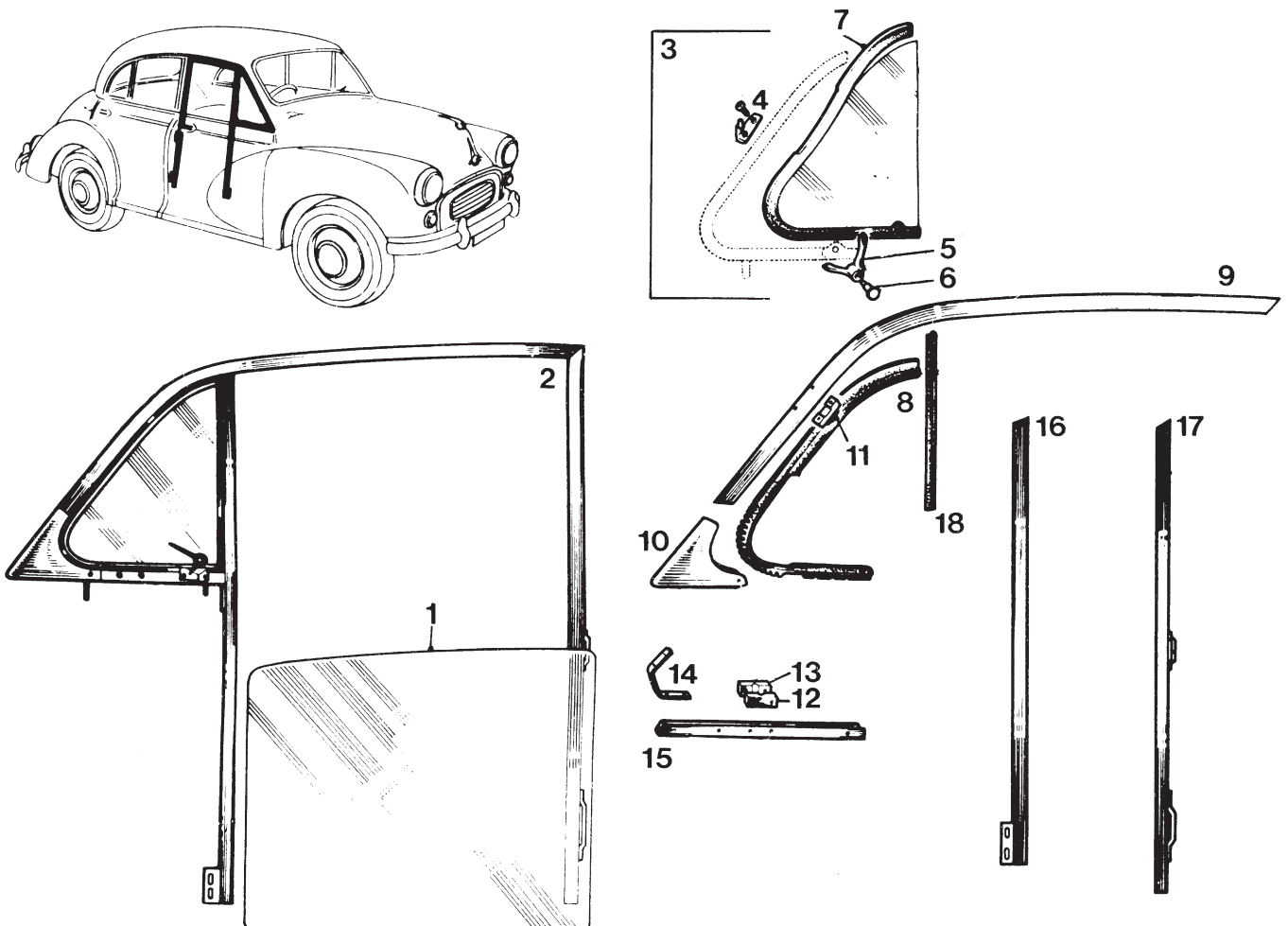
WWM101	WWM101E	1	Regulator - window - R/H	
WWM102	WWM102E	2	Regulator - window - L/H	
WWM103	WWM103E	3	Regulator - window - rear - R/H	<i>4dr saloon</i>
WWM104	WWM104E	4	Regulator - window - rear - L/H	<i>4dr saloon</i>
WWM105	WWM105SH	5	Handle - regulator	
WWM106	WWM106SH	6	Washer - fibre	
WWM107	DCH131	7	Screw - handle to regulator	
WWM108	FIX130A	8	Bolt - regulator to door	



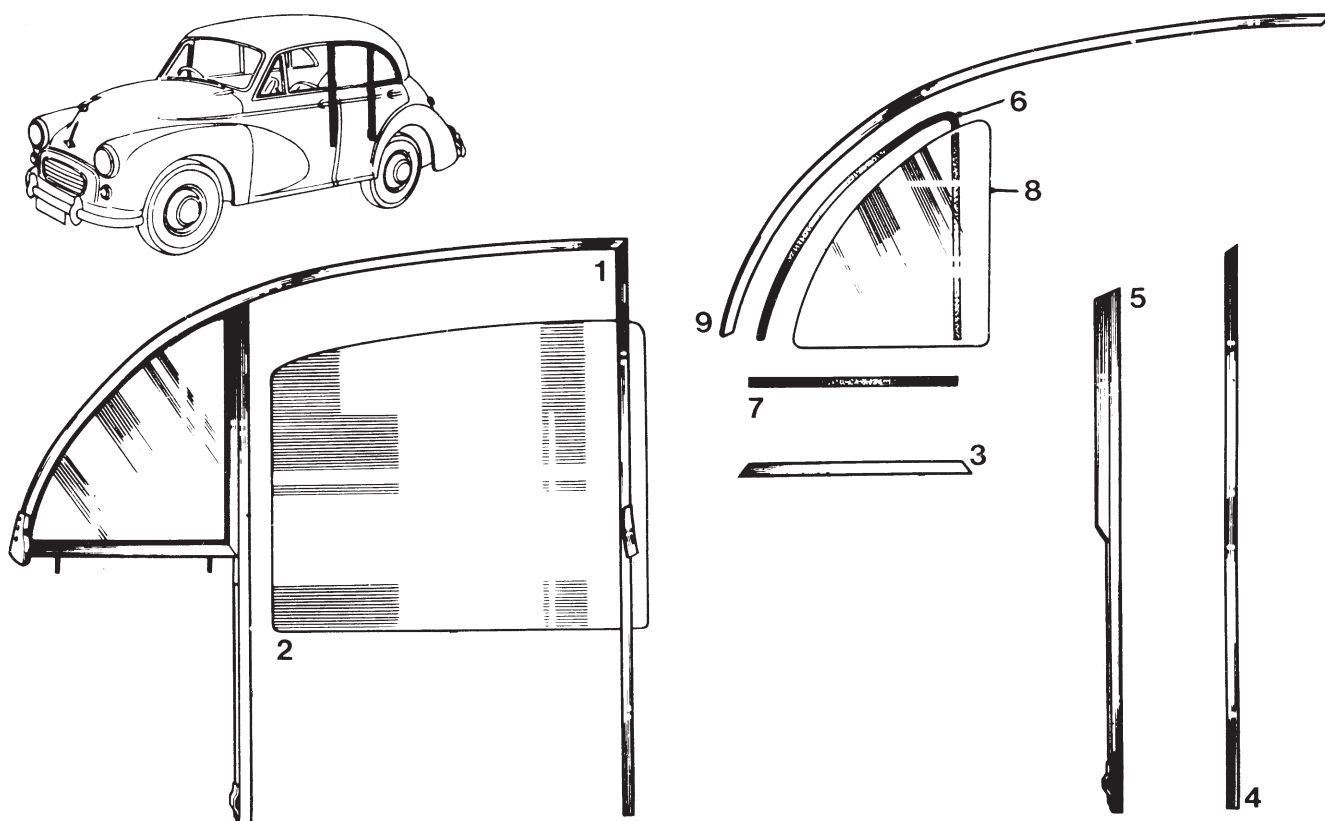
Part Number	ESM Order Ref.	Illus. No.	Description	Remarks
-------------	----------------	------------	-------------	---------

**Front door window and ventilator
4dr saloon - stainless steel**

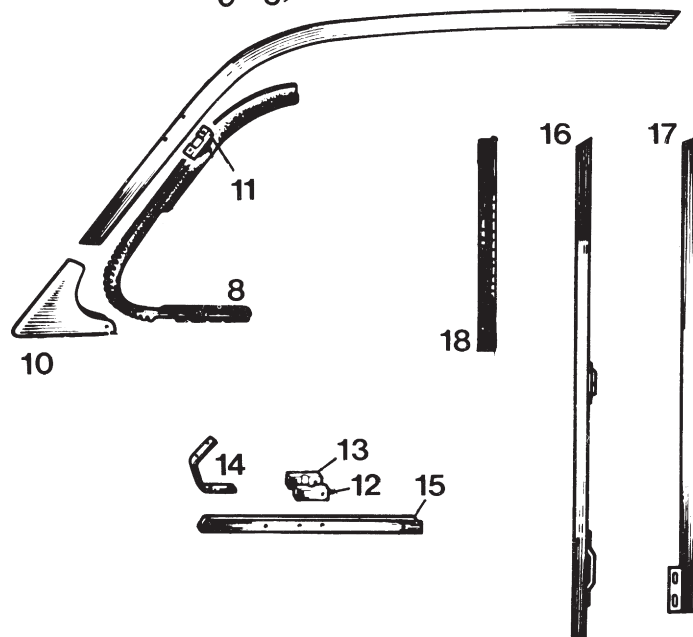
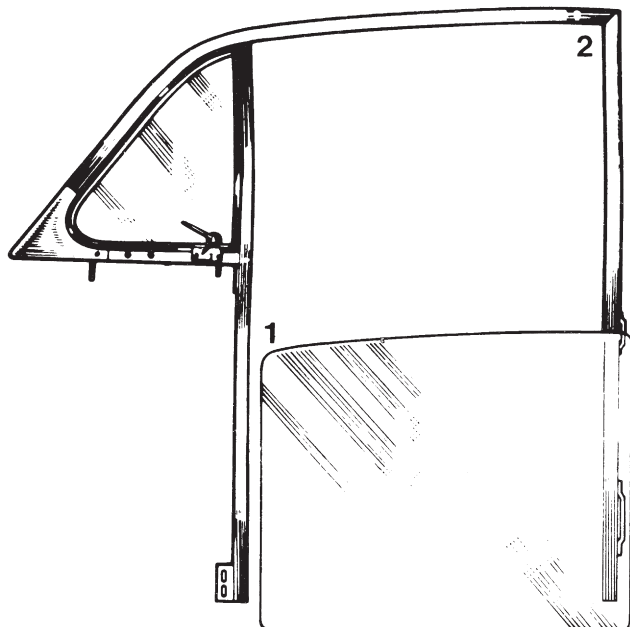
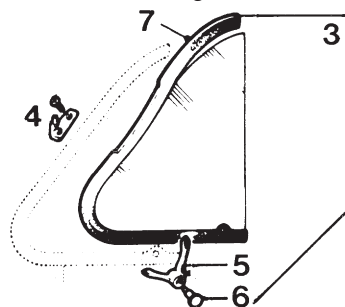
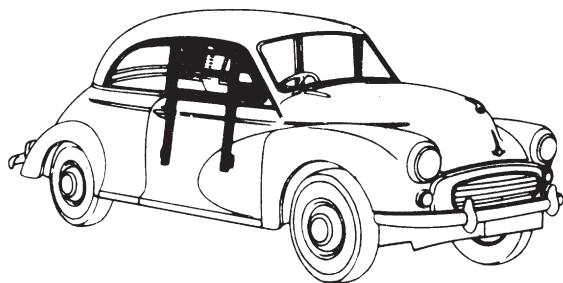
VNT101	VNT101	1	Glass - door - front	
VNT102	VNT102SH	2	Channel assembly - less ventilator - R/H	
VNT103	VNT103SH	-	Channel assembly - less ventilator - L/H	
VNT104	VNT104	3	Ventilator assembly - R/H	
VNT105	VNT105	-	Ventilator assembly - L/H	
VNT106	VNT106SH	4	Hinge - lower - R/H	
VNT107	VNT107	-	Hinge - lower - L/H	
VNT108	VNT108	5	Fastener - R/H	
VNT109	VNT109	-	Fastener - L/H	
VNT110	VNT110	6	Pin	
VNT111	VNT111	7	Strip - glazing - glass to frame	
VNT112	VNT112	8	Rubber - ventilator - R/H	
VNT113	VNT113	-	Rubber - ventilator - L/H	
VNT114	VNT114SH	9	Channel - outer - R/H	
VNT115	VNT115SH	-	Channel - outer - L/H	
VNT116	VNT116SH	10	Capping - corner	
VNT117	VNT117SH	11	Hinge - ventilator - lower - R/H	
VNT118	VNT118SH	-	Hinge - ventilator - lower - L/H	
VNT119	VNT119SH	12	Block - lower bearing - inner	
VNT120	VNT120SH	13	Block - lower bearing - outer	
VNT121	VNT121SH	14	Bracket - corner	
VNT122	VNT122SH	15	Channel - lower - R/H	
VNT123	VNT123SH	-	Channel - lower - L/H	
VNT124	VNT124SH	16	Channel - vertical - rear - R/H	
VNT125	VNT125SH	-	Channel - vertical - rear - L/H	
VNT126	VNT126SH	17	Channel - vertical - front - R/H	
VNT127	VNT127SH	-	Channel - vertical - front - L/H	
VNT128	VNT128	18	Rubber - ventilator sealing	



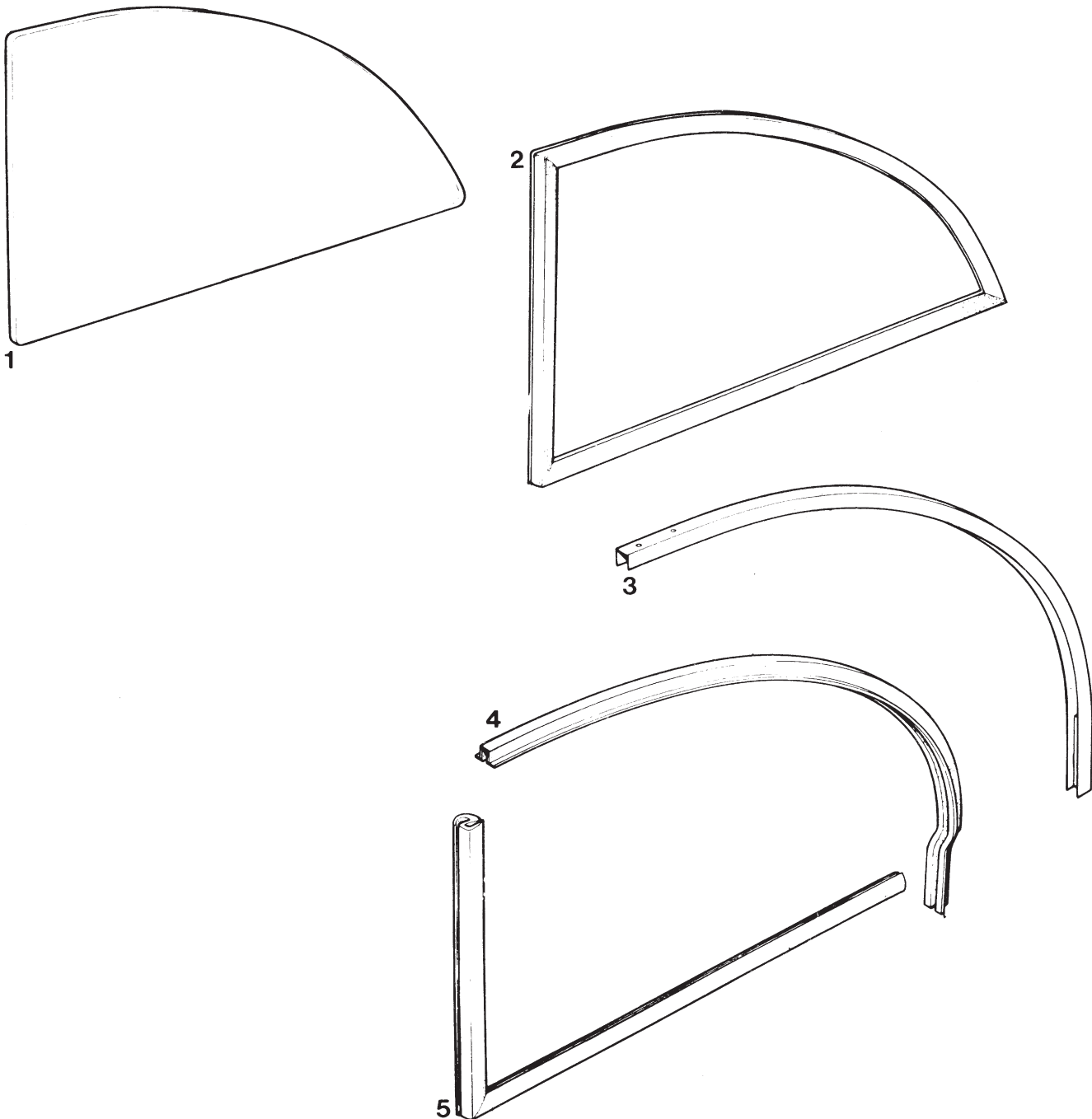
Part Number	ESM Order Ref.	Illus. No.	Description	Remarks
Rear door window and ventilator - 4dr saloon				
VNT129	VNT129	1	Channel assembly - rear window - R/H	
VNT130	VNT130	1	Channel assembly - rear window - L/H	
VNT131	VNT131	2	Glass	
VNT132	VNT132	3	Channel - lower - R/H	
VNT133	VNT133	3	Channel - lower - L/H	
VNT134	VNT134	4	Channel - front - vertical - R/H	
VNT135	VNT135	4	Channel - front - vertical - L/H	
VNT136	VNT136	5	Channel - rear - vertical	
VNT137	VNT137	6	Channel - quarter light - upper - rubber	
VNT138	VNT138	7	Channel - quarter light - lower - rubber	
VNT139	VNT139	8	Glass - quarter light	
VNT140	VNT140	9	Channel - outer - R/H	
VNT141	VNT141	9	Channel - outer - L/H	



Part Number	ESM Order Ref.	Illus. No.	Description	Remarks
Front door window and ventilator - 2dr vehicles - stainless steel				
VNT142	VNT142	1	Glass - door - front	
VNT143	VNT143SH	2	Channel assembly - less ventilator - R/H	
VNT144	VNT144SH	-	Channel assembly - less ventilator - L/H	
VNT104	VNT104	3	Ventilator assembly - R/H	
VNT105	VNT105	-	Ventilator assembly - L/H	
VNT106	VNT106SH	4	Hinge - lower - R/H	
VNT107	VNT107	-	Hinge - lower - L/H	
VNT108	VNT108	5	Fastener - R/H	
VNT109	VNT109	-	Fastener - L/H	
VNT110	VNT110	6	Pin	
VNT111	VNT111	7	Strip - glazing - glass to frame	
VNT112	VNT112	8	Rubber - ventilator - R/H	
VNT113	VNT113	-	Rubber - ventilator - L/H	
VNT145	VNT145SH	9	Channel - outer - R/H	
VNT146	VNT146SH	-	Channel - outer - L/H	
VNT116	VNT116SH	10	Capping - corner	
VNT117	VNT117SH	11	Hinge - ventilator - upper - R/H	
VNT118	VNT118SH	-	Hinge - ventilator - upper - L/H	
VNT119	VNT119SH	12	Block - lower bearing - inner	
VNT120	VNT120SH	13	Block - lower bearing - outer	
VNT121	VNT121SH	14	Bracket - corner	
VNT122	VNT122SH	15	Channel - lower - R/H	
VNT123	VNT123SH	-	Channel - lower - L/H	
VNT147	VNT147SH	16	Channel - vertical - rear - R/H	
VNT148	VNT148SH	-	Channel - vertical - rear - L/H	
VNT149	VNT149SH	17	Channel - vertical - front - R/H	
VNT150	VNT150SH	-	Channel - vertical - front - L/H	
VNT128	VNT128	18	Rubber - ventilator sealing	



Part Number	ESM Order Ref.	Illus. No.	Description	Remarks
Rear side window glass and seals - 2dr and convertible				
VNT800	VNT800SH	1	Glass - rear side	2dr saloon
VNT801	VNT801	2	Channel - side window - rubber - R/H	2dr saloon
VNT802	VNT802	z	Channel - side window - rubber - L/H	2dr saloon
VNT803	CONV116	3	Channel - side window - metal - R/H	Convertible
VNT804	CONV117	z	Channel - side window - metal - L/H	Convertible
VNT805	CONV118	4	Channel - upper - rubber	Convertible
VNT806	CONV119	5	Channel - front and lower - rubber - R/H	Convertible
VNT807	CONV120	z	Channel - front and lower - rubber - L/H	Convertible
VNT808	CONV131	1	Glass - rear side	Convertible



Part Number	ESM Order Ref.	Illus. No.	Description	Remarks
-------------	----------------	------------	-------------	---------

**Window channels - front and rear door
2-door saloon, convertible and Traveller**

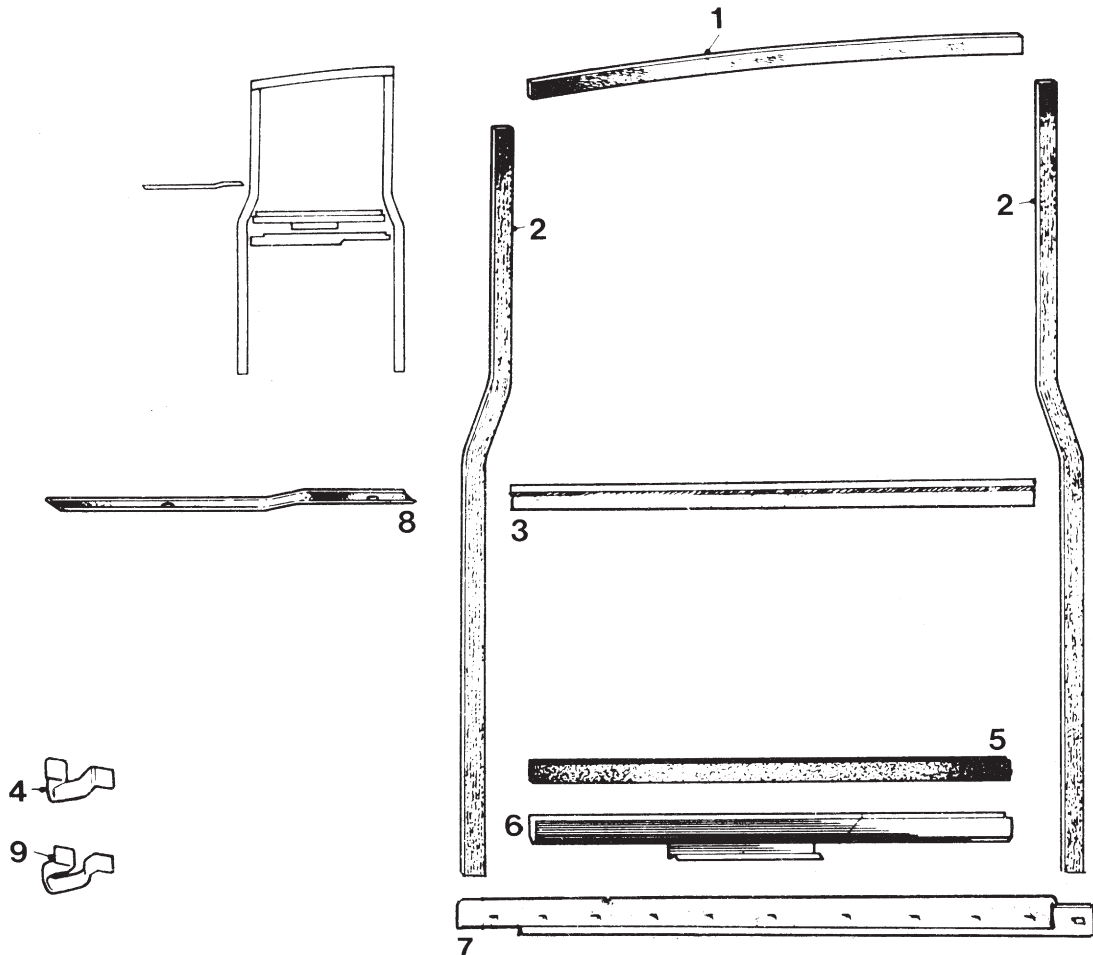
EXC103	EXC103	1	Channel - velvet covered rubber - top	
EXC104	EXC104	2	Channel - velvet covered rubber - front and rear	
EXC105	EXC105	3	Weatherstrip - inner and outer	
EXC106	EXC106	4	Clip - weatherstrip	
EXC107	EXC107	5	Strip - glazing - door glass	
EXC108	EXC108SH	6	Channel - regulator - R/H	
EXC109	EXC109SH	-	Channel - Regulator - L/H	
EXC110	EXC110	7	Rubber strip - sealing - 4" up from door bottom	
EXC110A	EXC140	-	Punched metal strip for EXC110	
EXC111	EXC111	8	Weatherstrip - ventilator	
EXC112	EXC112	9	Clip - door sealing strip	

4-door saloon - rear doors

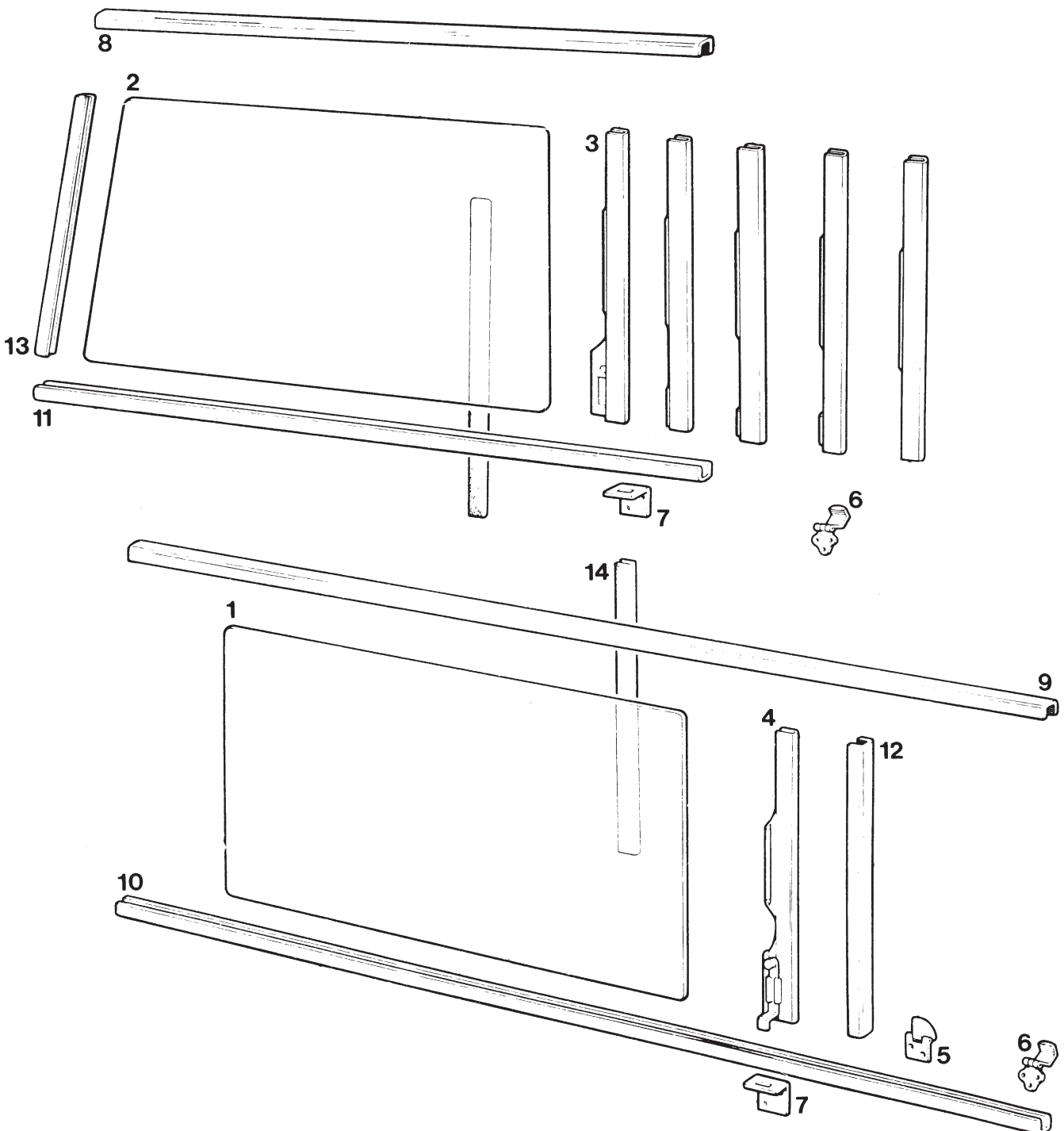
EXC113	EXC103	1	Channel - velvet covered rubber - top	
EXC104	EXC104	2	Channel - velvet covered rubber - front and rear	
EXC114	EXC114	3	Weatherstrip - inner and outer	
EXC106	EXC106	4	Clip - weatherstrip	
EXC107	EXC107	5	Strip - glazing -door glass	
EXC117	EXC110	7	Rubber strip - sealing - 4" up from door bottom	<i>Trim to suit</i>
EXC110A	EXC140	-	Punched metal strip for EXC110	<i>Trim to suit</i>
EXC111	EXC111	8	Weatherstrip - ventilator	
EXC112	EXC112	9	Clip - door sealing strip	

4-door saloon - rear doors

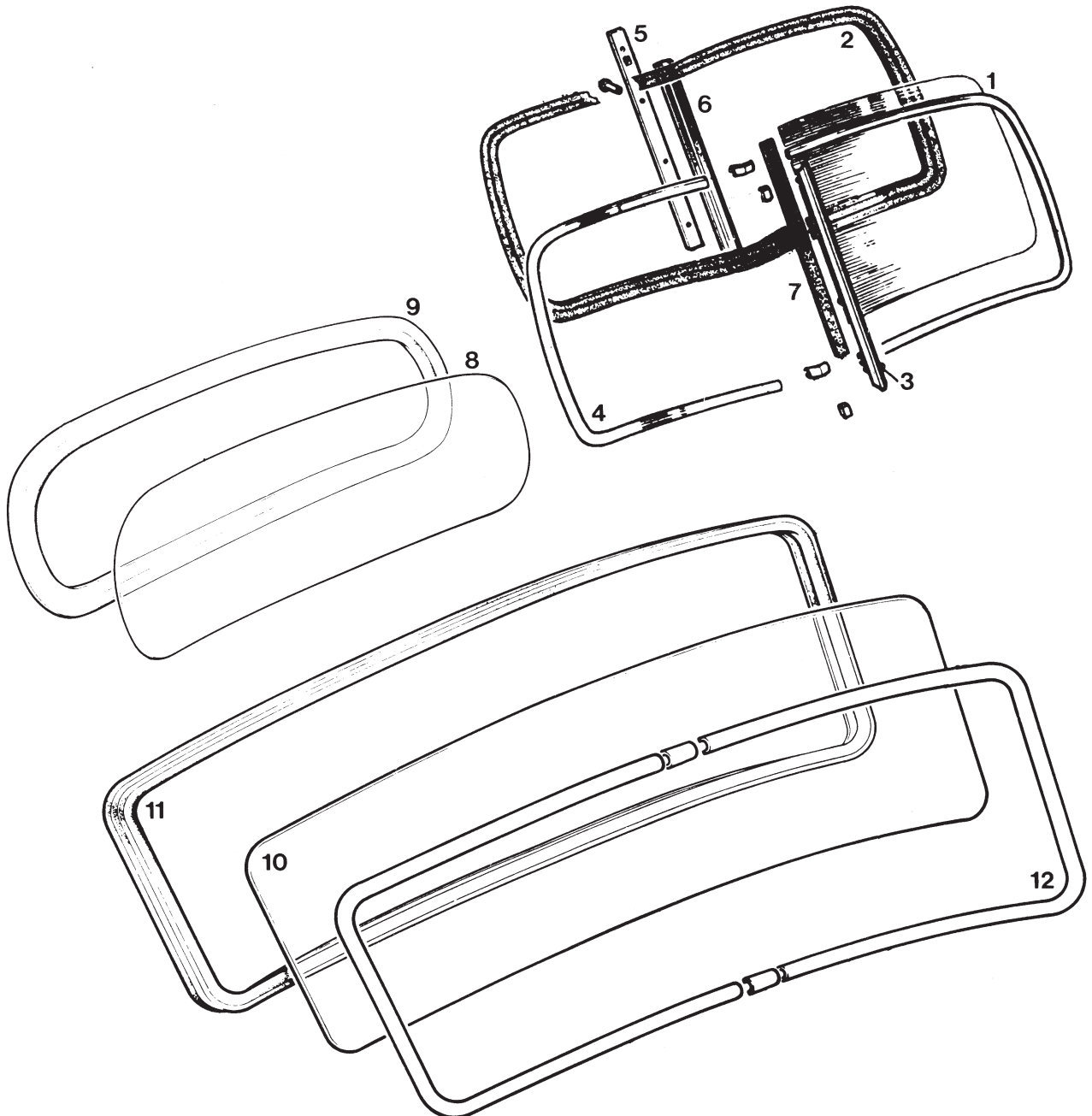
EXC113	EXC103	1	Channel - velvet covered rubber - top	<i>Trim to suit</i>
EXC104	EXC104	2	Channel - velvet covered rubber - front and rear	
EXC118	EXC118	3	Weatherstrip - inner and outer	
EXC106	EXC106	4	Clip - weatherstrip	
EXC107	EXC107	5	Strip - glazing	
EXC121	EXC110	7	Rubber strip - sealing - 4" up from door bottom	<i>Trim to suit</i>
EXC110A	EXC140	-	Punched metal strip for EXC110	<i>Trim to suit</i>
EXC112	EXC112	9	Clip - door sealing bottom	

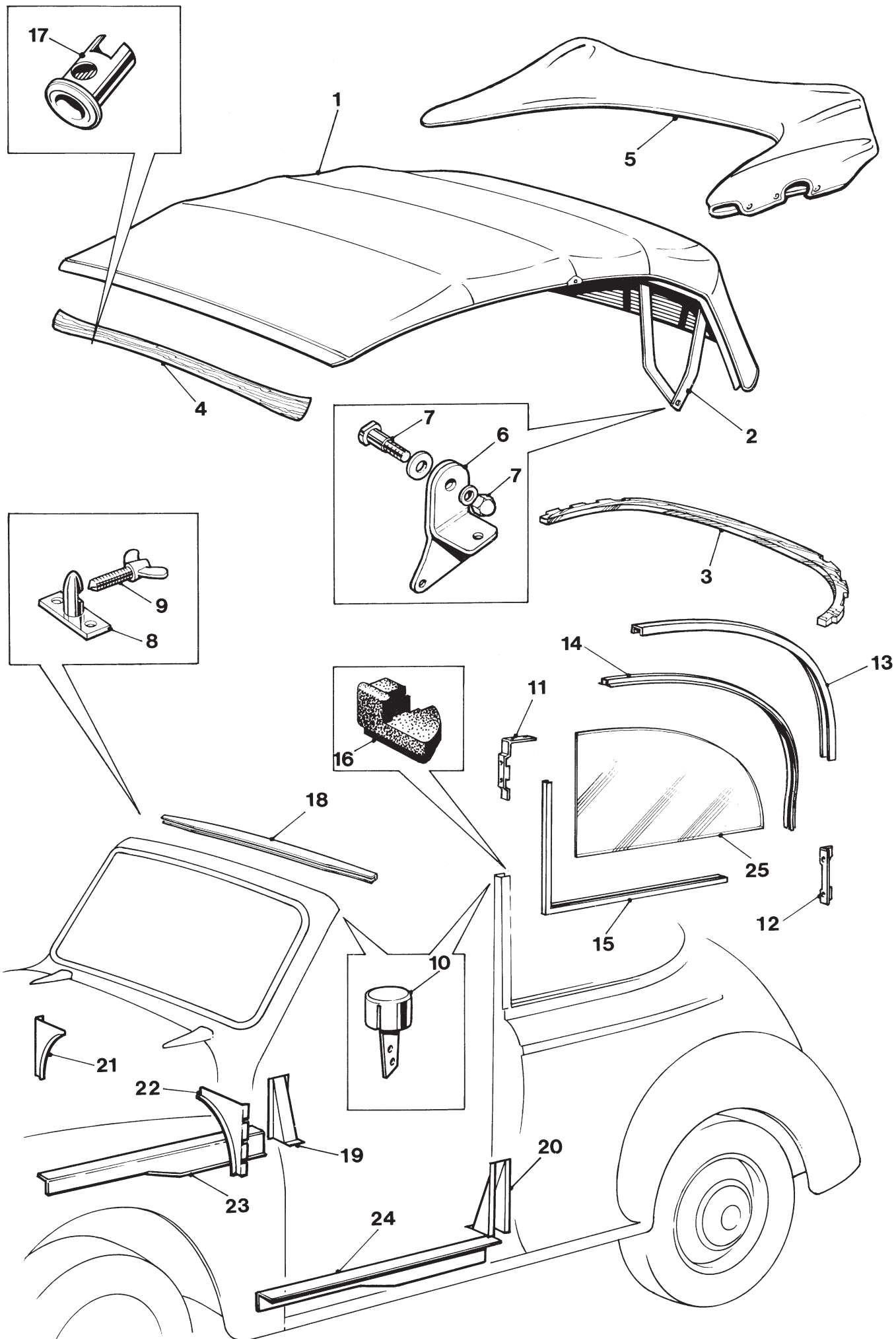


Part Number	ESM Order Ref.	Illus. No.	Description	Remarks
Sliding quarterlight - Traveller				
GLS112	GLS112SH	1	Glass - body side - front	
GLS113	GLS113SH	2	Glass - body side - rear	
GLS114	GLS114SH	3	Finger pull and catch - R/H	
GLS115	GLS115SH	4	Finger pull and catch - L/H	
GLS116	GLS116SH	5	Catch	
GLS117	GLS117SH	6	Catch	
GLS118	GLS118SH	7	Bracket - catch	
GLS119	T25	8	Channel - top - inner	
GLS120	T25	9	Channel - top - outer	
GLS121	T28	10	Channel - bottom - outer	
GLS122	T25	11	Channel - bottom - inner	
GLS123	T25	12	Channel - vertical - front post	
GLS124	T25	13	Channel - vertical - rear post	



Part Number	ESM Order Ref.	Illus. No.	Description	Remarks
Windscreen and back light				
GLS101	GLS101	1	Glass - windscreen	803cc split screen
EXT101	EXT101	2	Rubber - windscreen glass	803cc split screen
GLS102	SV128	3	Centre pillar	803cc split screen
GLS105/6	SV129	6	Weather strip - inner and outer	803cc split screen
GLS107	GLS107SH	8	Glass - back light	803cc split screen
EXT102	EXT102	9	Rubber - back light glass	803cc split screen
GLS108	GLS108SH	8	Glass - back light	948cc and 1098cc
-	ACC121	8	Glass - back light - heated	948cc and 1098cc
EXT104	EXT104	9	Rubber - back light glass	948cc and 1098cc
GLS109	GLS100	10	Glass - windscreen - laminated	948cc and 1098cc
-	GLS100A	10	Glass - windscreen - heated	948cc and 1098cc
-	GLS100T	10	Glass - windscreen - grey tinted	
EXT103	EXT103	11	Rubber - windscreen glass	For use with GLS110
GLS110	GLS110SH	12	Finisher - outer	
EXT105	EXT105	11	Rubber - windscreen glass	For use with GLS111
GLS111	GLS111	-	Plastic-chrome insert	For use with EXT105
GLS150	GLS150	-	Fitting tool for GLS111	





Part Number	ESM Order Ref.	Illus. No.	Description	Remarks
CHF101	CONV107SS	1	Hood-canvas-split screen models	
CHF119	CONV107SS	1	Hood-Everflex-split screen models	
CHF102	CONV107	1	Hood-canvas-late type	
CHF120	CONV107	1	Hood-Everflex-late type	
CHF103	CONV100A	2	Frame - hood-split screen models	
CHF104	CONV100	2	Frame - hood-late type	
CHF105	CONV103	3	Rail-timber-rear	
CHF106	CONV102	4	Stick-front-timber-split screen models	
CHF107	CONV101	4	Stick -front-timber-late type	
CHF108	CONV106	5	Hood bag-canvas	
CHF109	CONV106	5	Hood bag-Everflex	
CHF111	CONV122	6	Bracket - hood frame to body - chrome	
CHF113/4	CONV123	7	Nut and stud	
CHF115	CONV105	8	Pin- locating	
CHF116	CONV104	9	Screw-wing	
CHF117	CONV113R	10	Finisher-draught excluder-R/H front & L/H rear	
CHF118	CONV113L	10	Finisher-draught excluder-L/H front & R/H rear	
CHF121	CONV124	-	Bracket-channel to shut pillar-R/H	
CHF122	CONV124	11	Bracket-channel to shut pillar-L/H	
CHF123	CONV125	12	Bracket-channel to body side rear	
VNT803	CONV116	-	Channel-side window-R/H	
VNT804	CONV117	13	Channel-side window-L/H	
VNT805	CONV118	14	Channel-upper-rubber	
VNT806	CONV119	-	Channel-front and lower-rubber-R/H	
VNT807	CONV120	15	Channel-front and lower-rubber-L/H	
CHF124	CONV114	-	Seal-shut pillar-top-R/H	
CHF125	CONV115	16	Seal-shut pillar-top-L/H	
CHF126	CONV126	17	Socket-pin locating	
CHF127	CONV134	18	Finisher-top-windscreen surround	
CHF128	CONV129	19	Bracket-shut pillar-reinforcement-R/H	
CHF129	CONV130	20	Bracket-shut pillar-reinforcement-L/H	
CHF130	CONV127	21	Reinforcement-fascia panel-R/H	
CHF131	CONV128	22	Reinforcement-fascia panel-L/H	
CHF132	CONV133L	23	Panel-reinforcement-sill-R/H	
CHF133	CONV133R	24	Panel-reinforcement-sill-L/H	
VNT808	CONV131	25	Glass-side window	